

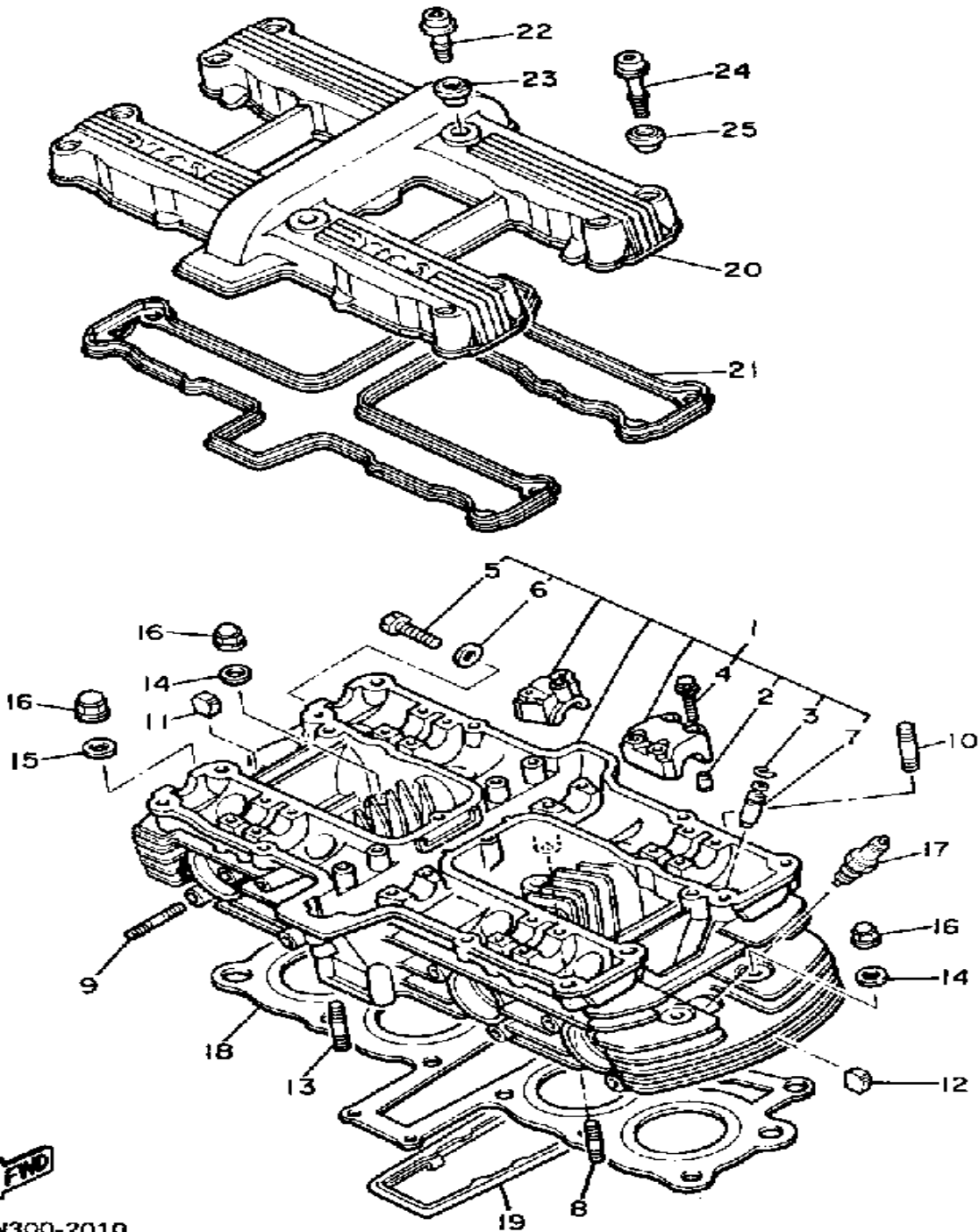
YAMAHA

GENUINE

PARTS CATALOGUE

MOTORCYCLE

CYLINDER HEAD

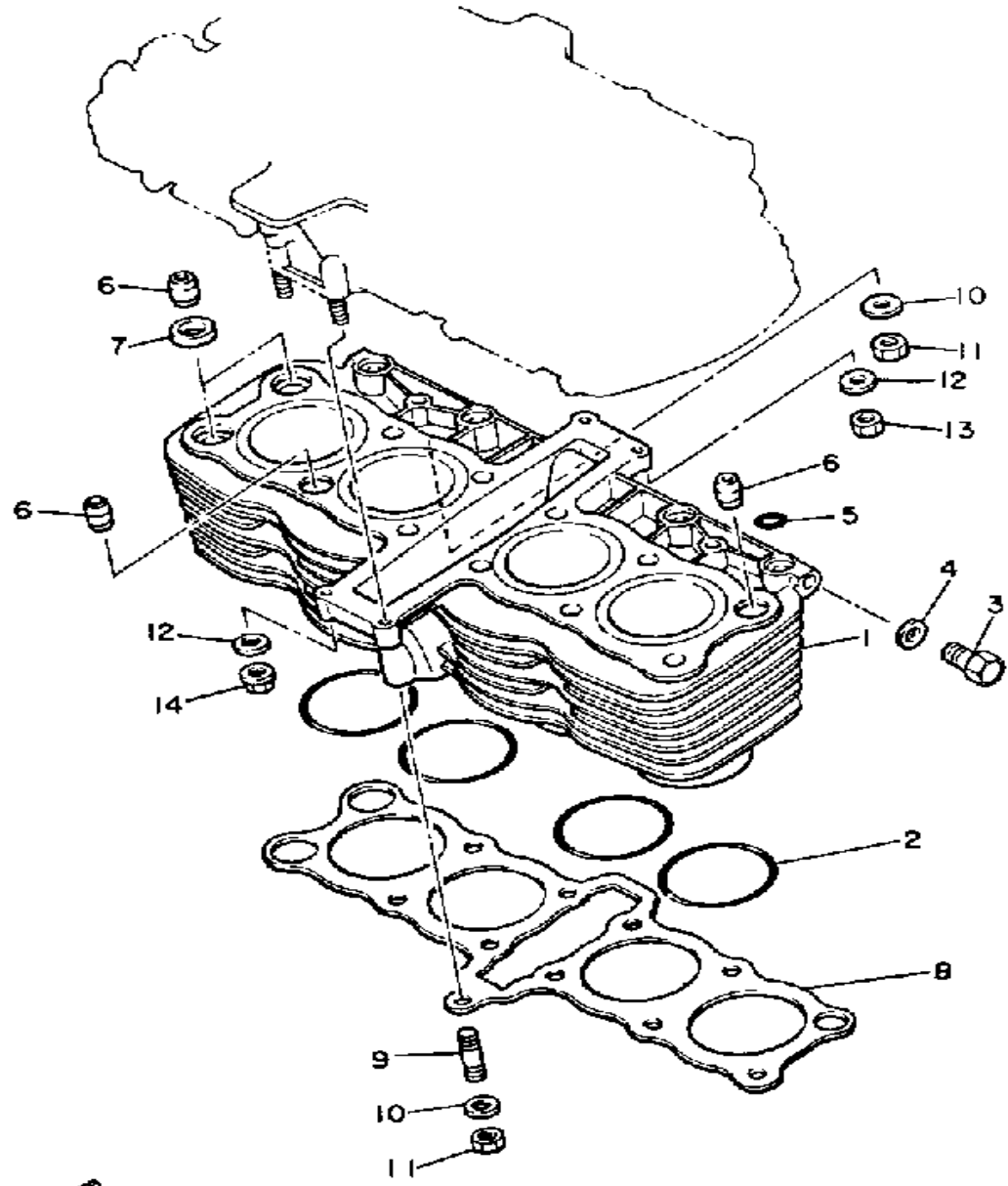


Ref. No.	Part Number	Description	Qty	Remarks
1	(41Y-11101-01-00)	CYLINDER HEAD ASSEMBLY	1	
2	99510-08016-00	. PIN, DOWEL	12	
3	93440-12052-00	. CIRCLIP	8	
4	90105-06153-00	. BOLT, WASHER BASED	24	
5	90153-06045-00	. SCREW, HEXAGON	1	
6	90430-06014-00	. GASKET	1	
7	4H7-11133-10-00	. GUIDE, INTAKE VALVE	8	
8	95612-06625-00	BOLT, STUD	2	
9	95611-06630-00	BOLT, STUD	8	
10	95611-08330-00	BOLT, STUD	2	
11	434-11161-00-00	ABSORBER 1	8	
12	4H7-11161-00-00	ABSORBER 1	14	
13	95611-06630-00	BOLT, STUD	2	
14	90201-10131-00	WASHER, PLATE	10	
15	90201-10128-00	WASHER, PLATE	2	
16	90176-10049-00	NUT, CROWN	12	
17	NGK-BP8ES-00-00	NGK BP8ES 10PK	4	U.R.
18	1FG-11181-00-00	GASKET, CYLINDER HEAD 1	1	
19	5G2-11355-00-00	SEAL, CYLINDER 1	1	
20	5G2-11191-10-00	COVER, CYLINDER.HEAD 1	1	
21	5G2-11193-00-00	GASKET, HD.COVER 1	1	
22	90109-06604-00	BOLT	4	
23	4G0-1111G-00-00	RUBBER, MOUNT 1	4	
24	90109-06605-00	BOLT	8	
25	4U8-1112G-00-00	RUBBER, MOUNT 2	8	

FWD
11N300-2010

CYLINDER

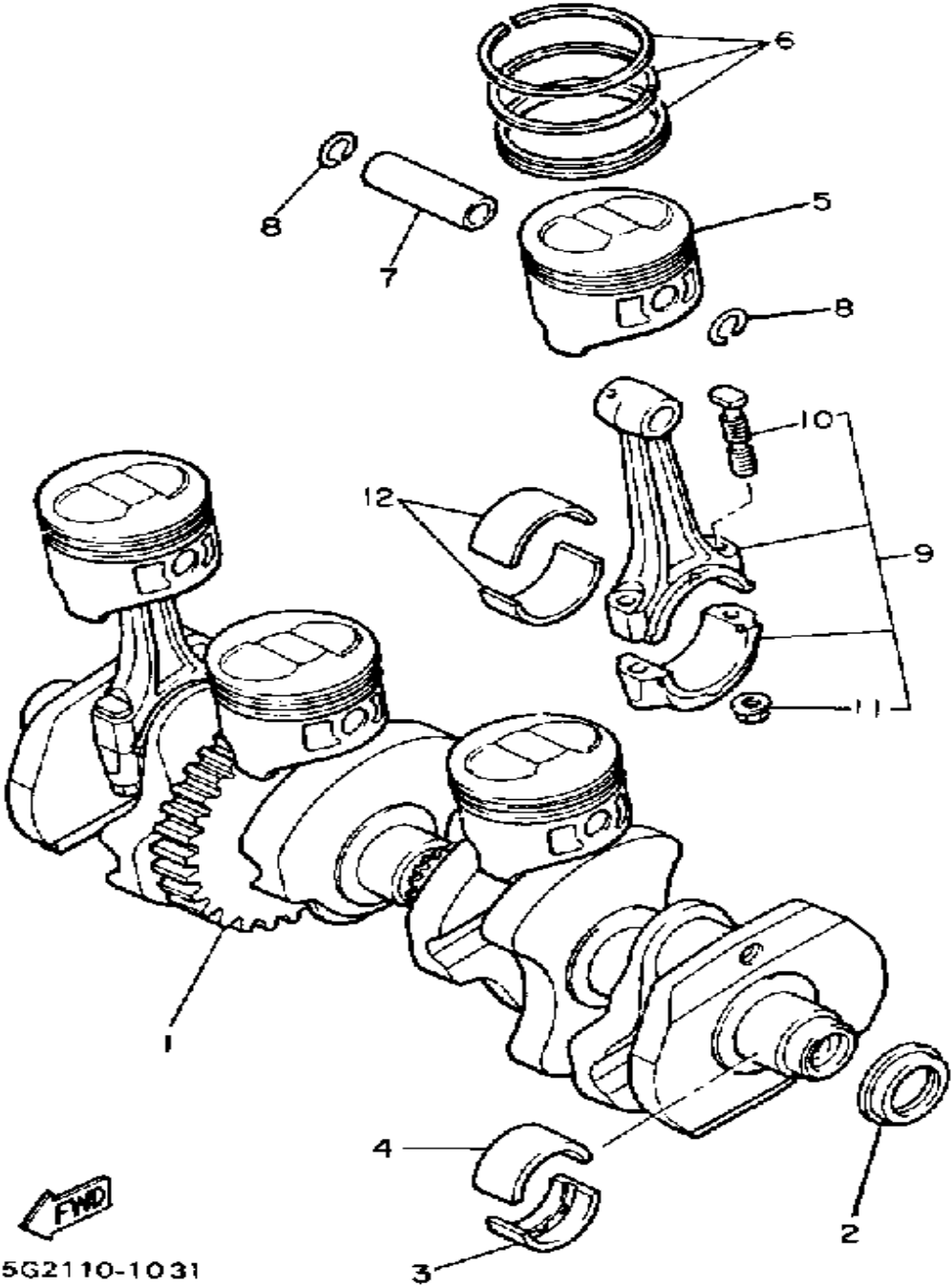
Ref. No.	Part Number	Description	Qty	Remarks
1	(1FG-11310-00-00)	CYLINDER	1	
2	93210-71462-00	O-RING	4	
3	90340-12062-00	PLUG, STRAIGHT SCRW	2	
4	90201-12790-00	WASHER, PLATE	2	
5	93210-09443-00	O-RING	4	
6	99530-14016-00	PIN, DOWEL	4	
7	90430-14131-00	GASKET	2	
8	4BB-11351-00-00 (5G2-11351-00)	GASKET, CYLINDER	1	
9	95611-08330-00	BOLT, STUD	1	
10	90201-084G3-00	WASHER, PLATE	3	
11	95333-08600-00	NUT	3	
12	90201-061A5-00	WASHER, PLATE	4	
13	95311-06600-00	NUT	2	
14	90179-06499-00	NUT	2	



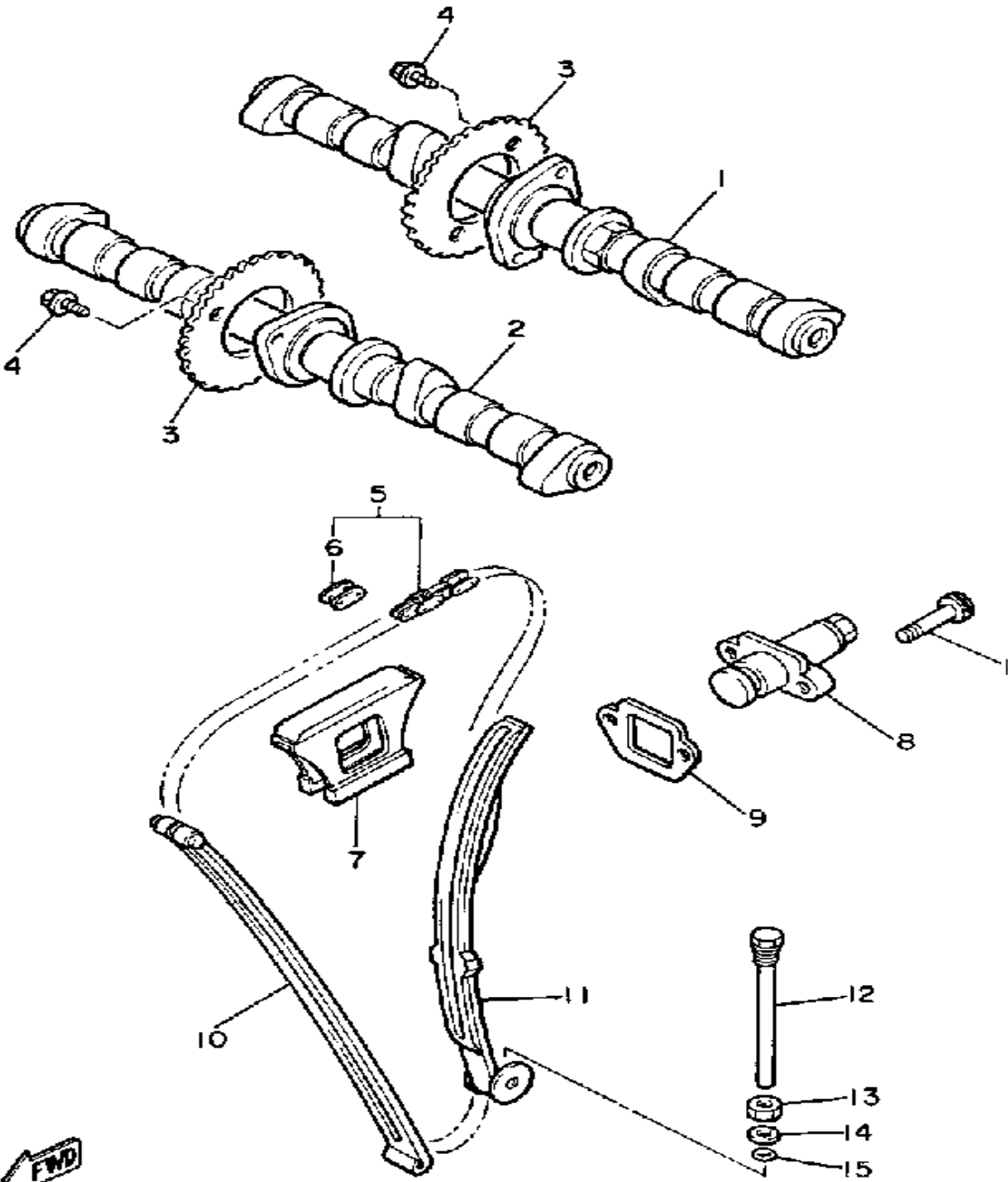
5G2110-1020

CRANKSHAFT-PISTON

Ref. No.	Part Number	Description	Qty	Remarks
12	31A-11656-30-00	PLANE BRNG, CON RODCONNECTING ROD	8	U.R. GREEN



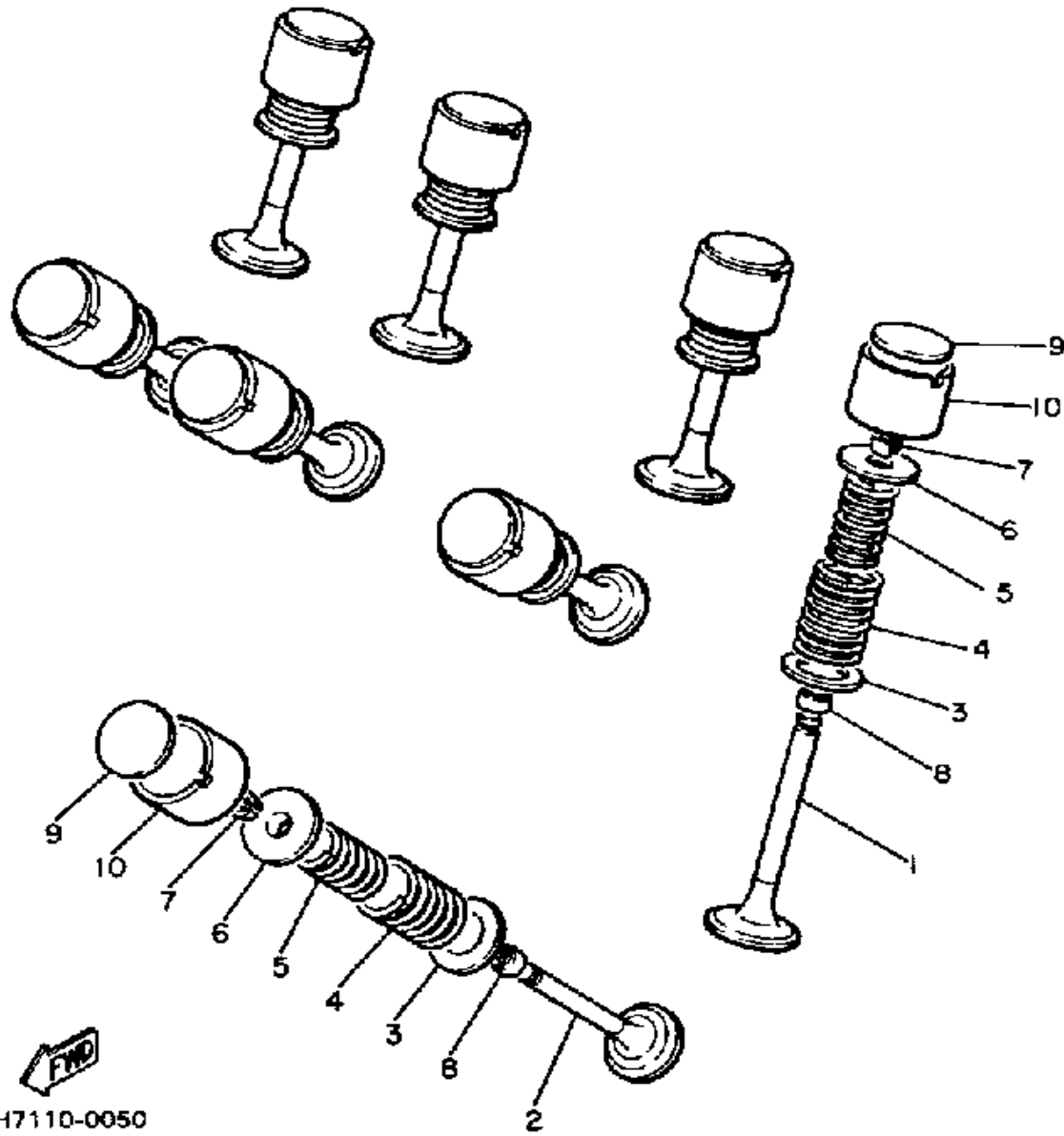
CAMSHAFT-CHAIN



Ref. No.	Part Number	Description	Qty	Remarks
1	4K0-12171-00-00	CAMSHAFT 1	1	
2	22N-12181-00-00	CAMSHAFT 2	1	
3	4G0-12176-01-00	SPROCKET, CAM CHAIN (4G0-12176-00) (32T)	2	
4	90105-07087-00	BOLT, WASHER BASED	4	
5	94500-02120-00	CHAIN (BF05M-120L)	1	
6	94600-02001-00	. JOINT, CHAIN (BF05M)	1	
7	4H7-12241-00-00	GUIDE, STOPPER 2	1	
8	12R-12210-00-00	TENSNR ASSEMBLY, CAM CHNCAM CHAIN	1	
9	3YX-12213-00-00	GASKET, TENSNR CASE (5G2-12213-00)	1	
10	4H7-12251-00-00	DAMPER, CHAIN 1	1	
11	4H7-12252-00-00	DAMPER, CHAIN 2	1	
12	90109-10570-00	BOLT	1	
13	95303-10700-00	NUT	1	
14	92901-08600-00	WASHER	1	
15	93210-08006-00	O-RING	1	
16	91311-06025-00	BOLT, SOCKET HEAD	2	

5G2110-1040

VALVE

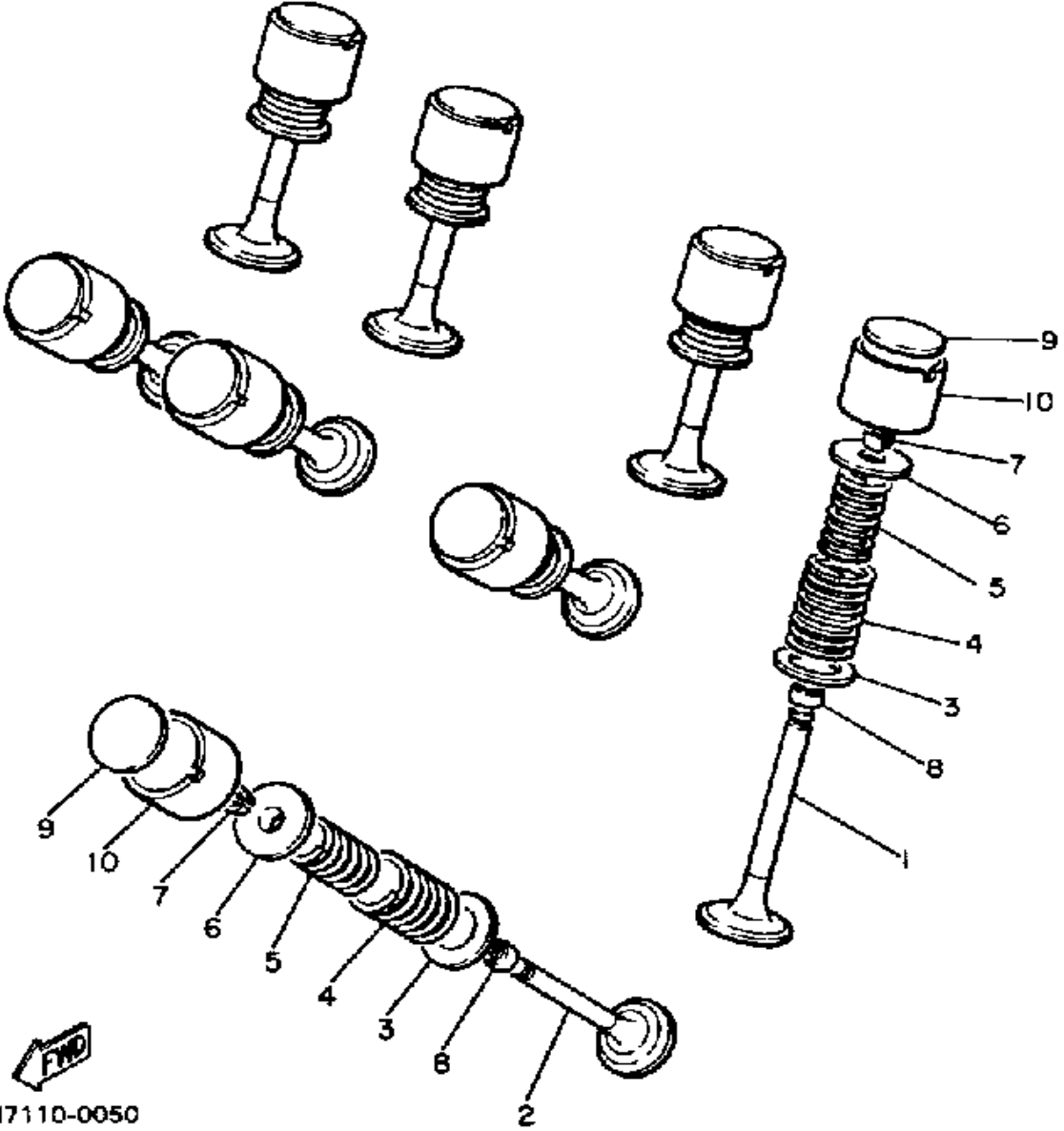


Ref. No.	Part Number	Description	Qty	Remarks
1	29R-12111-00-00	VALVE, INTAKE	4	
2	4H7-12121-00-00	VALVE, EXHAUST	4	
3	4H7-12116-00-00	SEAT, VALVE SPRING	8	
4	4H7-12114-00-00	SPRING, VALVE OUTER	8	
5	4H7-12113-00-00	SPRING, VALVE INNER	8	
6	2F3-12117-00-00	RETAINER, VALVE SPRING ..	8	
7	1J7-12118-00-00	COTTER, VALVE	16	
8	1J7-12119-01-00	SEAL, VALVE STEM	8	
9	1J7-12169-01-00	PAD, ADJUSTING 2.00 (2.00) ..	8	U.R.
	1J7-12169-11-00	PAD, ADJUSTING 2.05 (2.05) ..	8	U.R.
	1J7-12169-21-00	PAD, ADJUSTING 2.10 (2.10) ..	8	U.R.
	1J7-12169-31-00	PAD, ADJUSTING 2.15 (2.15) ..	8	U.R.
	1J7-12169-41-00	PAD, ADJUSTING 2.20 (2.20) ..	8	U.R.
	1J7-12169-51-00	PAD, ADJUSTING 2.25 (2.25) ..	8	U.R.
	1J7-12169-61-00	PAD, ADJUSTING 2.30 (2.30) ..	8	U.R.
	1J7-12169-71-00	PAD, ADJUSTING 2.35 (2.35) ..	8	U.R.
	1J7-12169-81-00	PAD, ADJUSTING 2.40 (2.40) ..	8	U.R.
	1J7-12169-91-00	PAD, ADJUSTING 2.45 (2.45) ..	8	U.R.
	1J7-12169-A1-00	PAD, ADJUSTING 2.50 (2.50) ..	8	U.R.
	1J7-12169-E1-00	PAD, ADJUSTING 2.55 (2.55) ..	8	U.R.
	1J7-12169-F1-00	PAD, ADJUSTING 2.60 (2.60) ..	8	U.R.
	1J7-12169-G1-00	PAD, ADJUSTING 2.65 (2.65) ..	8	U.R.
	1J7-12169-H1-00	PAD, ADJUSTING 2.70 (2.70) ..	8	U.R.
	1J7-12169-J1-00	PAD, ADJUSTING 2.75 (2.75) ..	8	U.R.
	1J7-12169-K1-00	PAD, ADJUSTING 2.80 (2.80) ..	1	U.R.
	1J7-12169-L1-00	PAD, ADJUSTING 2.85 (2.85) ..	8	U.R.
	1J7-12169-M1-00	PAD, ADJUSTING 2.90 (2.90) ..	8	U.R.
	1J7-12169-N1-00	PAD, ADJUSTING 2.95 (2.95) ..	8	U.R.
	1J7-12169-R1-00	PAD, ADJUSTING 3.00 (3.00) ..	8	U.R.

CONTINUED ON NEXT FRAME ►

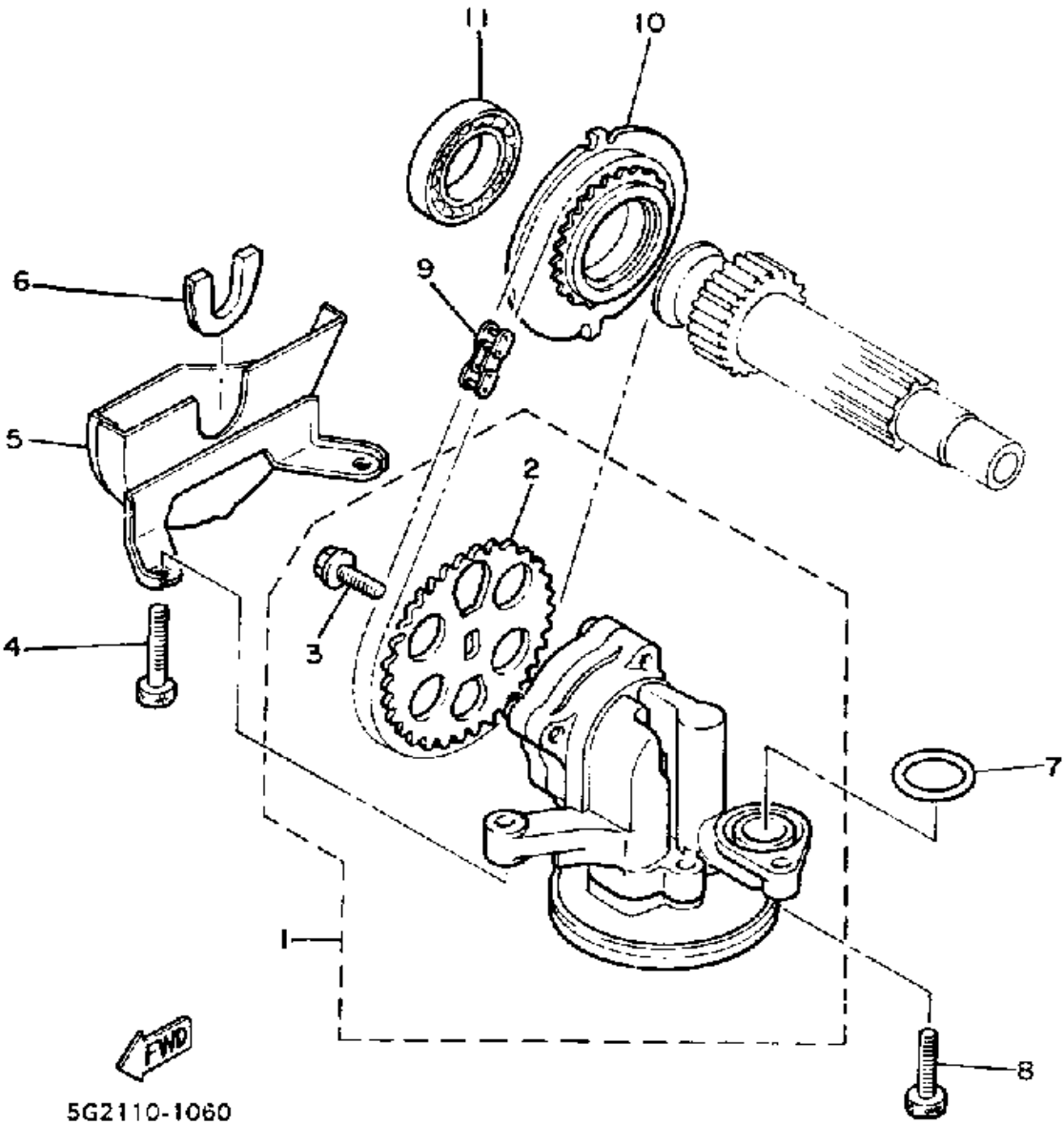
VALVE

Ref. No.	Part Number	Description	Qty	Remarks
9	1J7-12169-T1-00	PAD, ADJUSTING 3.05 (3.05) ..	8	U.R.
	1J7-12169-U1-00	PAD, ADJUSTING 3.10 (3.10) ..	8	U.R.
	1J7-12169-V1-00	PAD, ADJUSTING 3.15 (3.15) ..	8	U.R.
	1J7-12169-W1-00	PAD, ADJUSTING 3.20 (3.20) ..	8	U.R.
10	31A-12153-00-E0	LIFTER, VALVE (4H7-12153-01)	8	



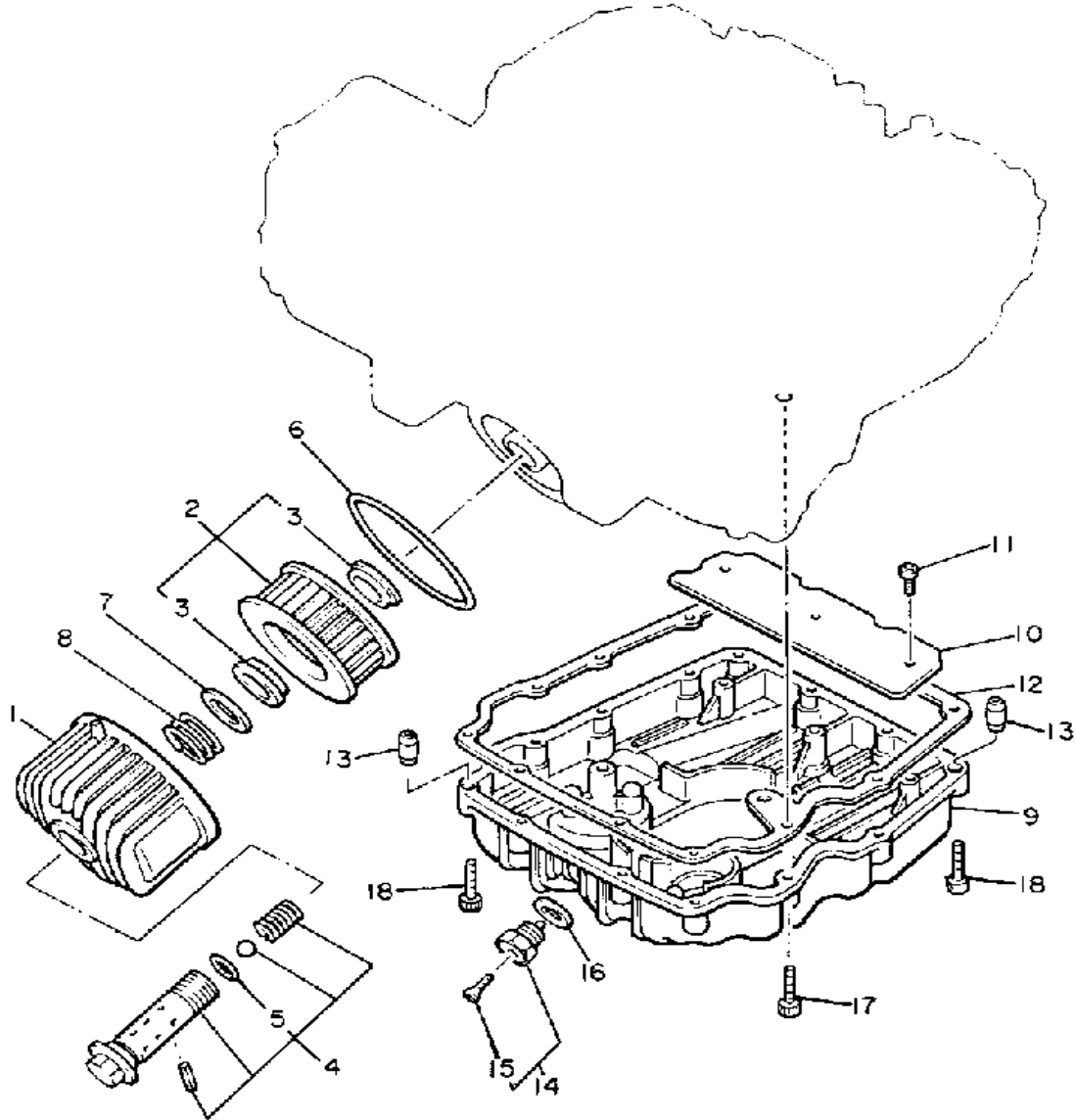
 4H7110-0050

OIL PUMP



Ref. No.	Part Number	Description	Qty	Remarks
1	5G2-13300-00-00	OIL PUMP ASSEMBLY	1	
2	5G2-13355-00-00	. SPROCKET, DRIVEN	1	
3	90105-06154-00	. BOLT, WASHER BASED	1	
4	90110-06035-00	BOLT, HEXAGON SOCKET HEAD	2	
5	4H7-13327-00-00	COVER, PUMP GEAR	1	
6	4H7-13328-00-00	GROMMET, GEAR COVER	1	
7	93210-18319-00	O-RING	1	
8	91316-06025-00	BOLT	1	
9	94580-25062-00	CHAIN	1	
10	4H7-13354-00-00	SPROCKET, DRIVE	1	
11	93315-23208-00	BEARING	1	

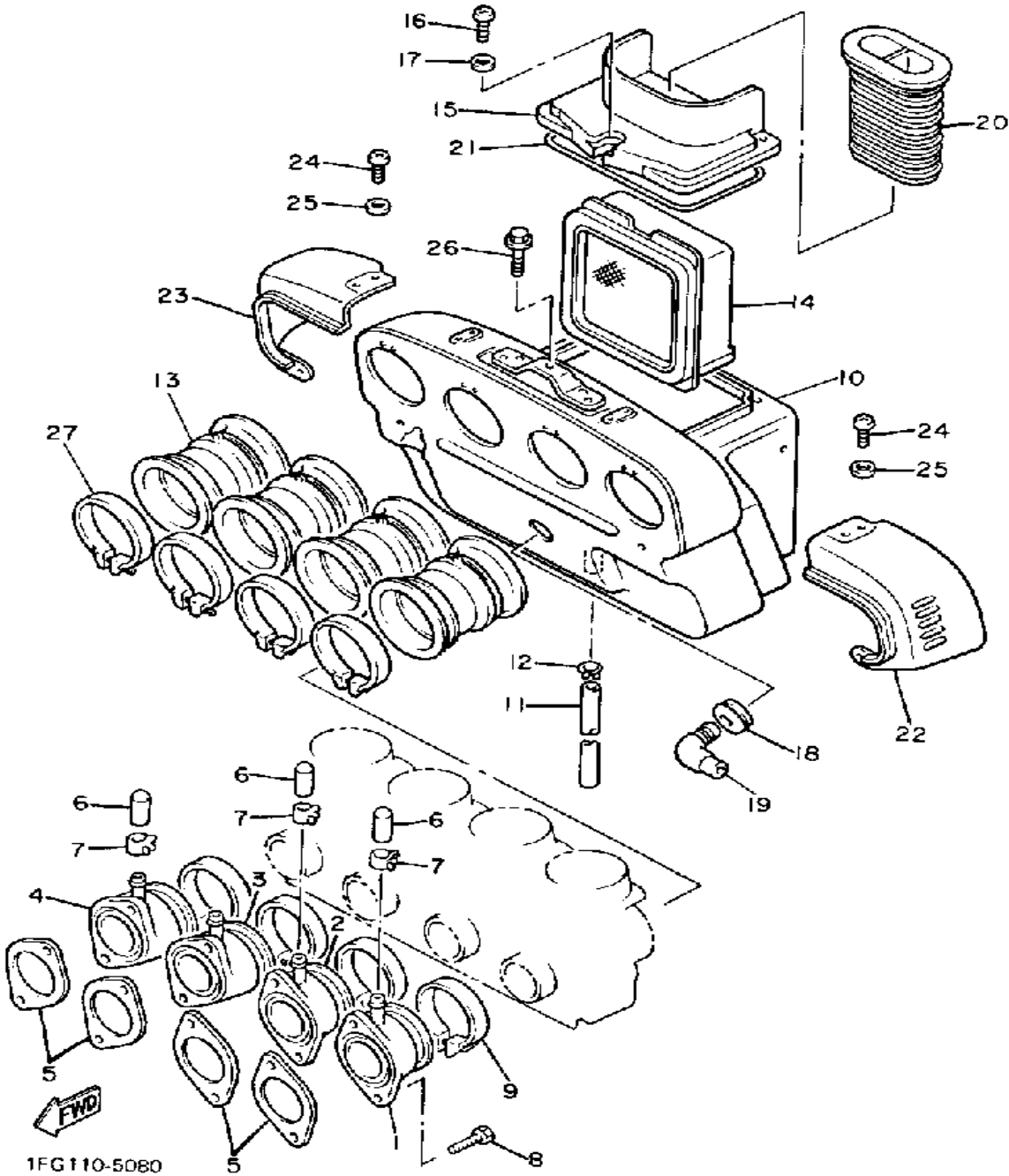
OIL FILTER



Ref. No.	Part Number	Description	Qty	Remarks
1	4H7-13447-00-00	COVER, OIL ELEMENT	1	
2	1L9-13441-11-00	ELEMENT, OIL CLNR	1	
3	90480-23193-00	. GROMMET	2	
4	1L9-13340-01-00	BY-PASS VALVE ASSEMBLY	1	
5	93210-16629-00	. O-RING	1	
6	93210-87723-00	O-RING	1	
7	90201-21608-00	WASHER, PLATE	1	
8	90501-20422-00	SPRING, COMPRESSION	1	
9	(31A-13417-00-00)	COVER, STRAINER	1	
10	4H7-13337-00-00	PLATE, BAFFLE LOWER	1	
11	98580-06010-00	SCREW, PAN HEAD (92503-06010)	3	
12	4BB-13414-00-00	GASKET, STRNR COVER	1	
13	99510-08016-00	PIN, DOWEL	2	
14	3VD-13455-00-00	PLUG	1	
15	98901-06008-00	. SCREW, BIND	1	
16	214-11198-01-00	GASKET	1	
17	90110-06138-00	BOLT, HEX SKT HEAD	11	
18	91316-06040-00	BOLT, SOCKET HEAD	2	

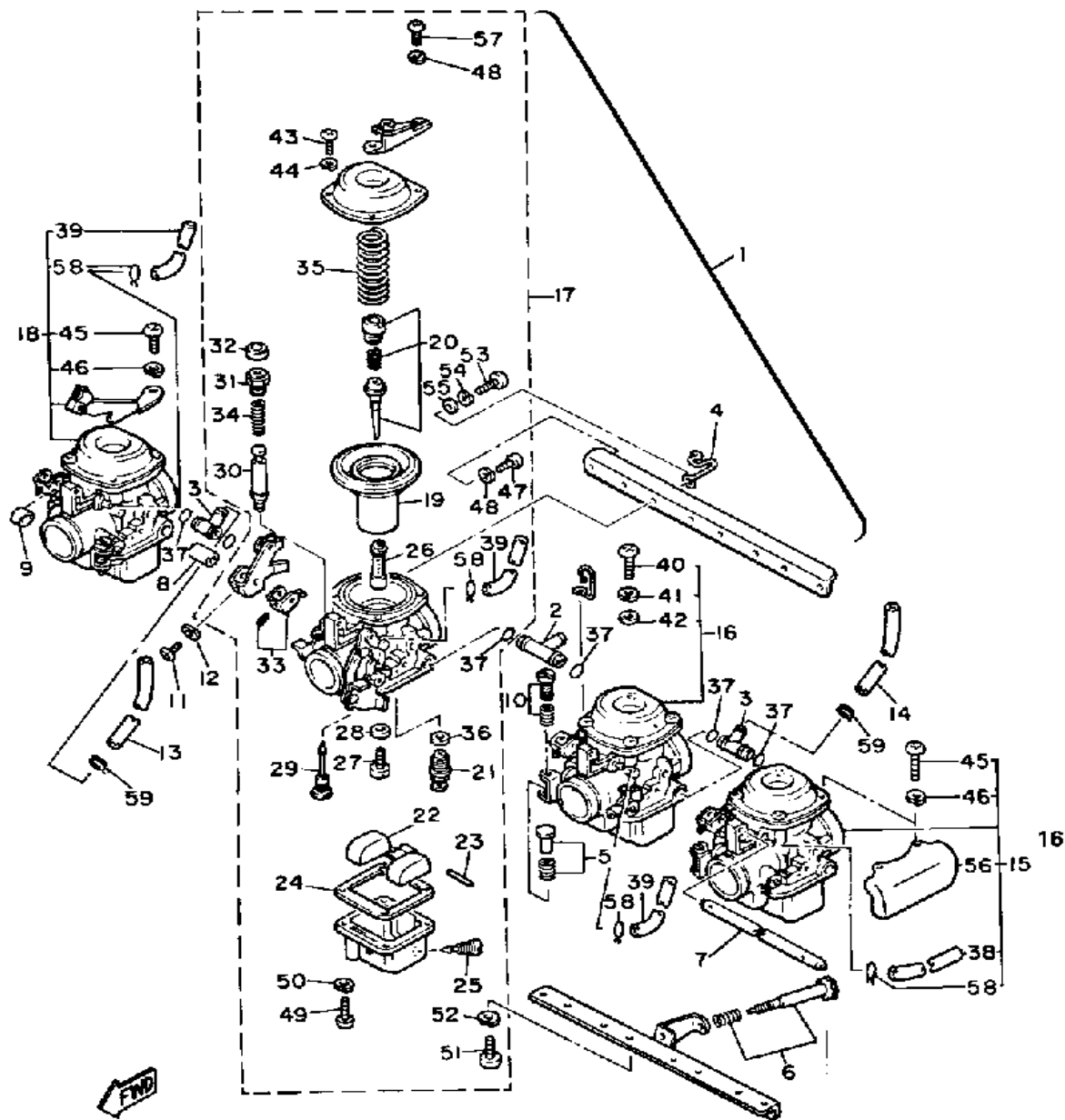
FWD
42N300-4080

AIR CLEANER



Ref. No.	Part Number	Description	Qty	Remarks
1	29R-13586-00-00	JOINT, CARBURETOR 1	1	
2	29R-13596-00-00	JOINT, CARBURETOR 2	1	
3	29R-13597-00-00	JOINT, CARB 3	1	
4	29R-13598-00-00	JOINT, CARB 4	1	
5	4H7-13556-01-00	GASKET, MANIFOLD	4	
6	16G-13569-00-00	PLUG, BLIND	3	
7	90467-10039-00	CLIP	3	
8	91316-06020-00	BOLT, SOCKET HEAD	8	
9	90460-49248-00	CLAMP, HOSE (1)	4	
10	1FG-14401-00-00	AIR CLNR CASE ASSEMBLY	1	
11	90445-11182-00	HOSE	1	
12	90467-09006-00	CLIP	1	
13	1FG-14453-00-00	JOINT, AIR CLNR 1	4	
14	1AA-14451-00-00	ELEMENT, AIR CLNR	1	
15	1AA-14412-00-00	CAP, CLEANER CASE 1	1	
16	98580-05020-00	SCREW, PAN HEAD	3	
17	92901-05600-00	WASHER, PLATE	3	
18	31A-14435-00-00	GROMMET	1	
19	31A-14419-00-00	PIPE	1	
20	1AA-14437-00-00	DUCT	1	
21	51Y-14462-00-00	SEAL	1	
22	1AA-1441A-00-00	COVER, CLNR CASE 1	1	
23	1AA-1441E-00-00	COVER, CLNR CASE 2	1	
24	97780-50612-00	SCREW, TAPPING	6	
25	92990-05200-00	WASHER, PLAIN	6	
26	90119-06029-00	BOLT, WITH WASHER	2	
27	90460-56105-00	CLAMP, HOSE	4	

CARBURETOR

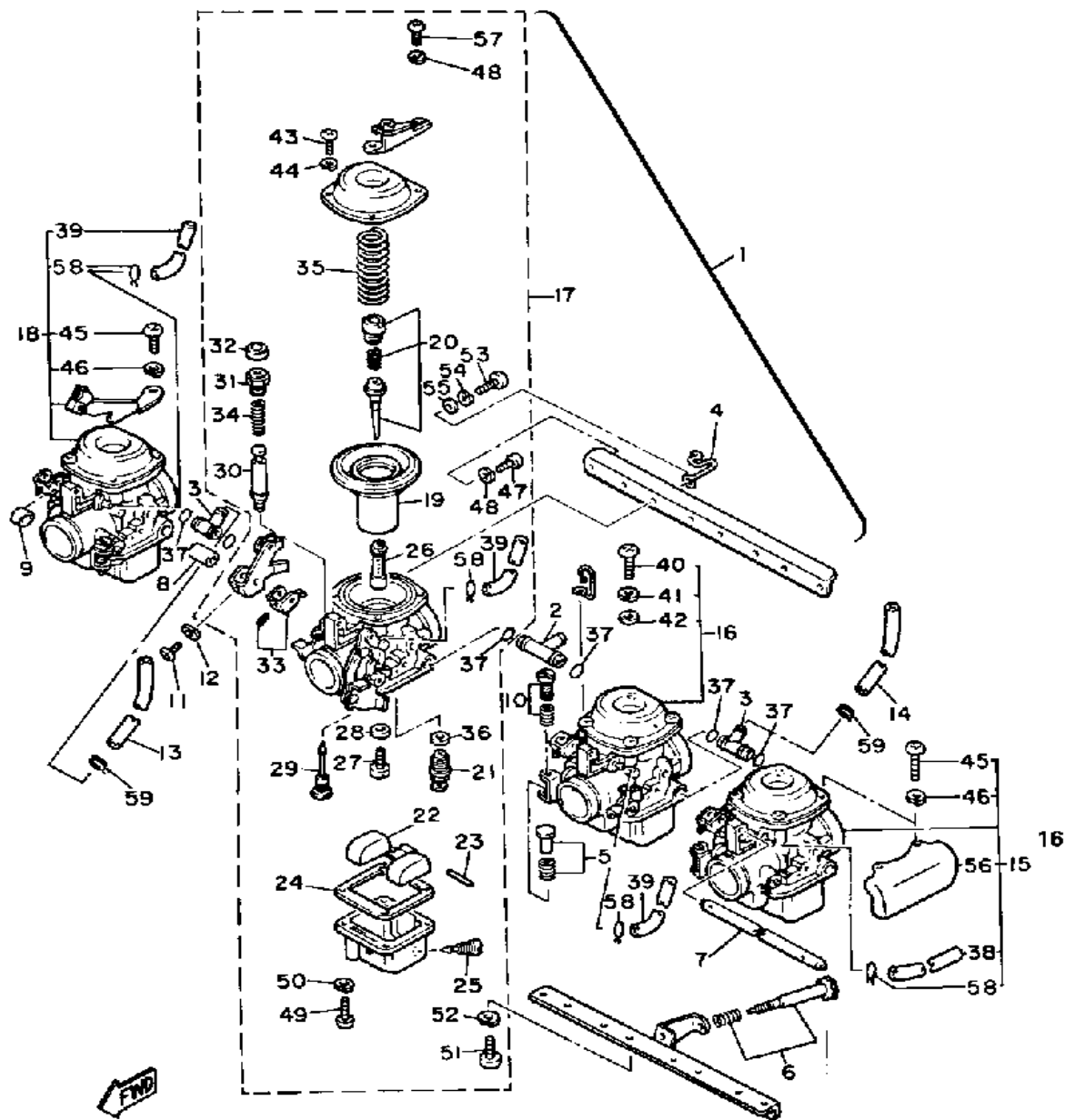


1FG110-5090

Ref. No.	Part Number	Description	Qty	Remarks
1	1FG-14900-00-00	UNAVAILABLE IN PRICE BOOKASSEMBLY	1	
	ϕ1J-J1490-00-00	UNAVAILABLE IN PRICE BOOKASSEMBLY	1	
2	(29R-1410G-00-00)	CONNECTOR	1	
3	(29R-1410F-00-00)	CONNECTOR	2	
4	4H7-14919-00-00	. CLIP	1	
5	5G2-W1492-00-00	. THRTL AJST SCRW 2SET 2	3	
6	5G2-W1493-00-00	. THRTL AJST SCRW 3SET 3	1	
7	ϕ29-R1417-70-00	. UNAVAILABLE IN PRICE BOOK	1	
8	ϕ29-R1414-90-00	UNAVAILABLE IN PRICE BOOK	2	
9	4H7-14973-00-00	. WASHER	1	
10	5G2-W1491-00-00	. THRTL AJST SCRW 1SET 1	3	
11	98501-03016-00	. SCREW, PAN HEAD	1	
12	92990-03100-00	. WASHER, SPRING (92901-03100)	1	
13	1FG-14197-00-00	. UNAVAILABLE IN PRICE BOOK	1	
14	1FG-14147-00-00	. PIPE	1	
15	(1FG-14901-00-00)	CARBURETOR ASSEMBLY 1	1	
	ϕ1J-J1490-10-00	. UNAVAILABLE IN PRICE BOOKASSEMBLY 1	1	
16	1FG-14902-00-00	. CARBURETOR ASSEMBLY 2ASSEMBLY 2	1	
	ϕ1J-J1490-20-00	. UNAVAILABLE IN PRICE BOOKASSEMBLY 2	1	
17	1FG-14903-00-00	. CARBURETOR ASSEMBLY 3ASSEMBLY 3	1	
	ϕ1J-J1490-30-00	. UNAVAILABLE IN PRICE BOOKASSEMBLY 3	1	
18	(1JJ-14904-00-00)	CARBURETOR ASSEMBLY 4	1	

CONTINUED ON NEXT FRAME ➤

CARBURETOR

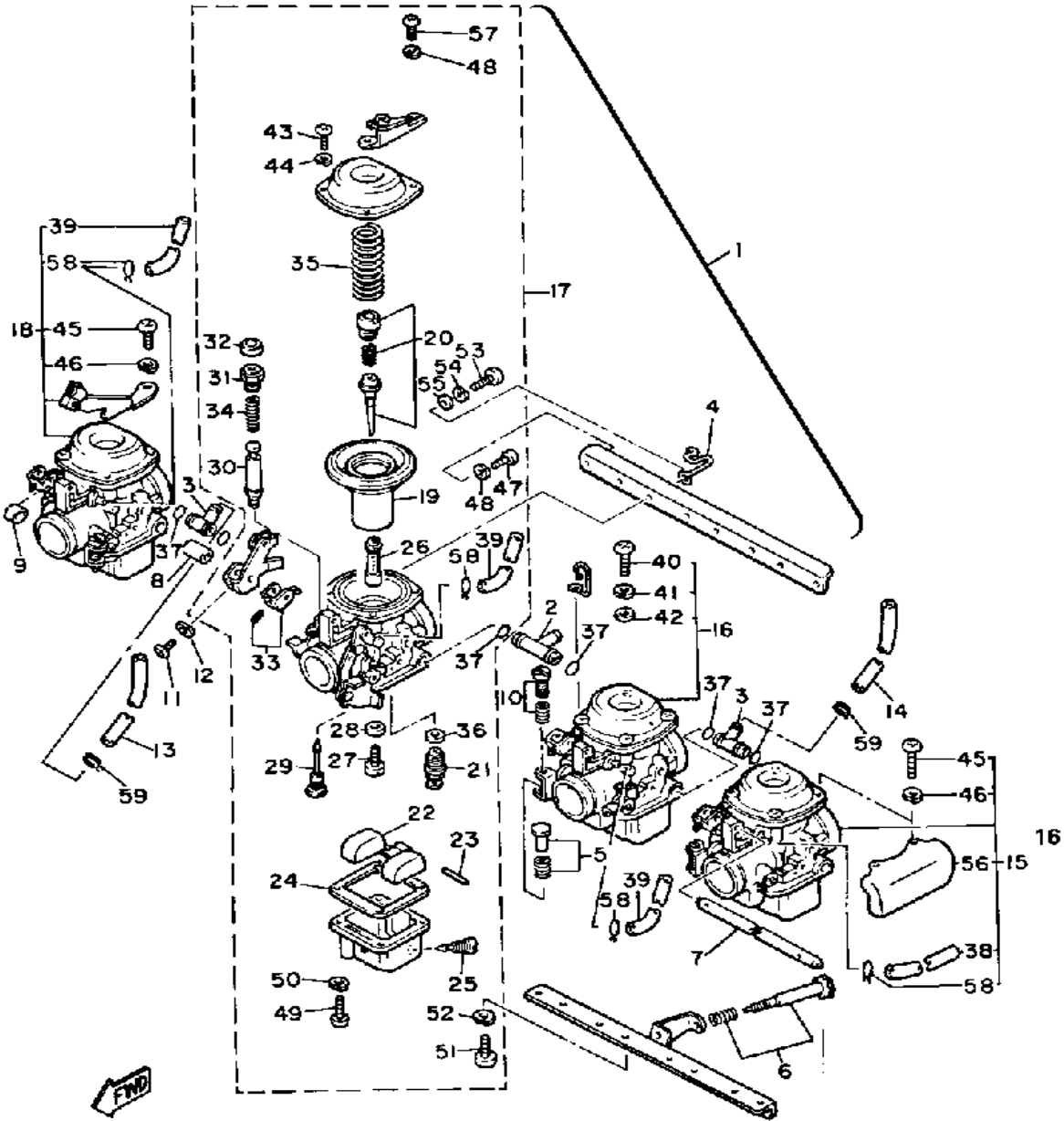


1FG 110-5090

Ref. No.	Part Number	Description	Qty	Remarks
18	1FG-14904-00-00	. CARBURETOR ASSEMBLY 4ASSEMBLY 4	1	
19	29R-14170-00-00	.. DIAPHRAGM ASSEMBLY ..	4	
20	1FG-1490J-00-00	.. NEEDLE SET ..	4	
21	10L-14390-00-00	.. UNAVAILABLE IN PRICE BOOKASSEMBLY ..	4	
22	4H7-14985-00-00	.. FLOAT ..	4	
23	4H7-14186-00-00	.. PIN, FLOAT ..	4	
24	4H7-14984-01-00	.. GASKET, FLOAT CHMBR (4H7-14984-00) ..	4	
25	4X7-14191-01-00	.. PLUG, DRAIN ..	4	
26	29R-14921-32-00	.. NOZZLE, MAIN ..	4	
27	(4H7-14925-07-00)	JET, MAIN #1 7 ..	4	
28	4H7-14945-00-00	.. WASHER, MAIN JET ..	4	
29	4H7-14948-36-00	.. JET, PILOT #36.5 (#36.5) ...	4	
30	4H7-14171-00-00	.. PLUNGER, STARTER ..	4	
31	4H7-14174-00-00	.. CAP, PLUNGER ..	4	
32	4H7-14173-00-00	.. COVER, PLUNGER CAP ...	4	
33	5G2-W1495-00-00	.. STARTER LEVER SET ..	4	
34	4H7-14135-00-00	.. SPRING, PLUNGER ..	4	
35	29R-14933-00-00	.. SPRING, DIAPHRAGM ..	4	
36	4H7-14952-00-00	.. WASHER ..	4	
37	3J3-14147-00-00	.. O-RING ..	10	
38	¢1F-G1414-80-0-	.. UNAVAILABLE IN PRICE BOOK ..	1	
39	¢1F-G1414-90-0-	.. UNAVAILABLE IN PRICE BOOK ..	3	
40	98580-04010-00	.. SCREW, PAN HEAD ..	5	
41	92901-04100-00	.. WASHER, SPRING ..	5	
42	92901-04600-00	.. WASHER, PLATE ..	1	

CONTINUED ON NEXT FRAME ➤

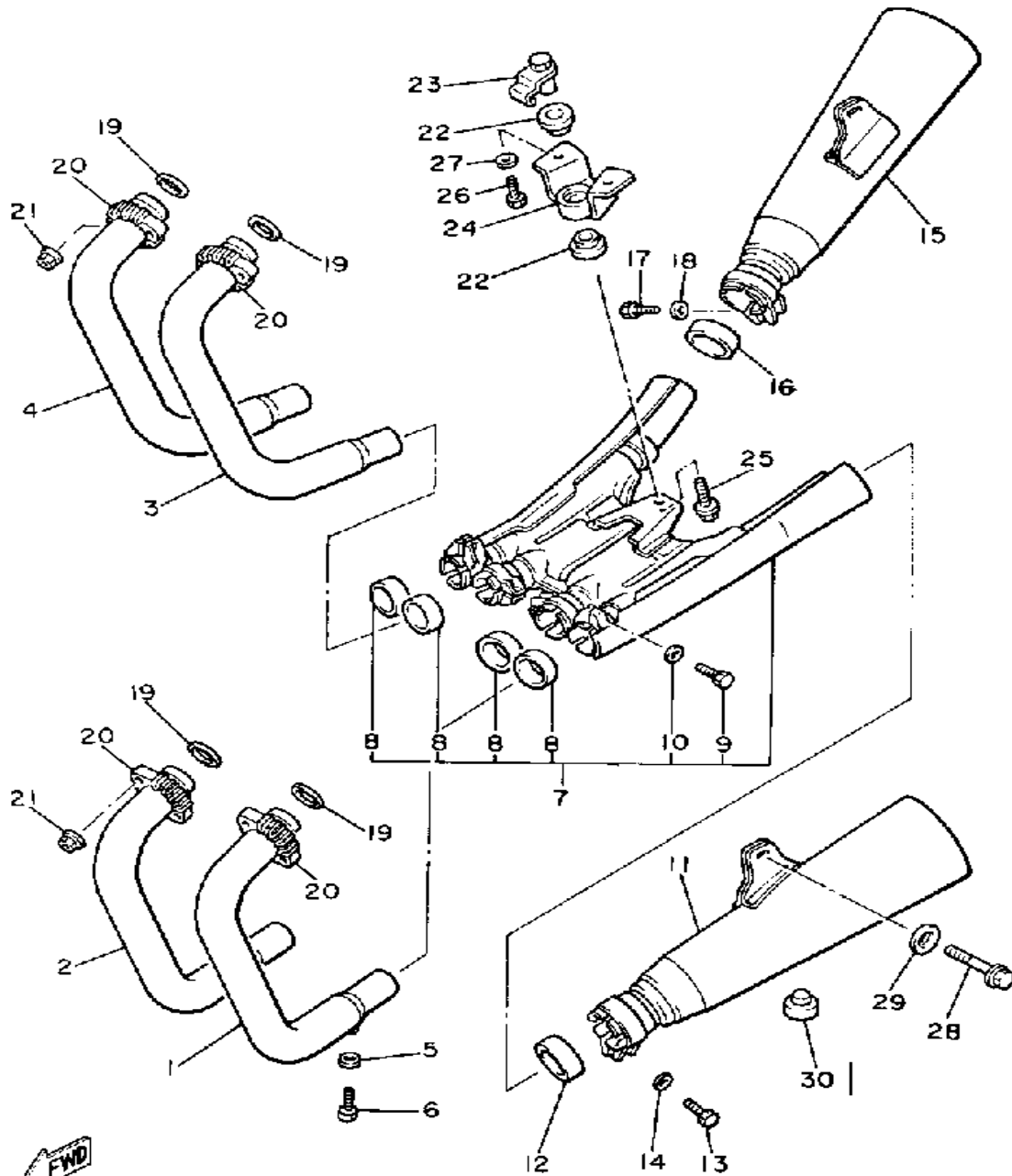
CARBURETOR



1FG110-5090

Ref. No.	Part Number	Description	Qty	Remarks
43	98580-04008-00	.. SCREW, PAN HEAD	1	
44	92901-04100-00	.. WASHER, SPRING	1	
45	98580-04010-00	.. SCREW, PAN HEAD	10	
46	92901-04100-00	.. WASHER, SPRING	10	
47	98580-05010-00	.. SCREW, PAN HEAD	6	
48	92990-05100-00	.. WASHER, SPRING	6	
49	98580-05016-00	.. SCREW, PAN HEAD	16	
50	92990-05100-00	.. WASHER, SPRING	16	
51	98580-06012-00	.. SCREW, PAN HEAD	8	
52	92995-06100-00	.. WASHER, SPRING	8	
53	98580-05012-00	.. SCREW, PAN HEAD	2	
54	92990-05100-00	.. WASHER, SPRING	2	
55	92901-05600-00	.. WASHER, PLATE	2	
56	1FG-14283-00-00	.. COVER, CARB 1	2	
57	98511-04012-00	.. SCREW, PAN HEAD	5	
58	90467-09006-00	.. CLIP	4	
59	90467-10008-00	.. CLIP	2	

EXHAUST

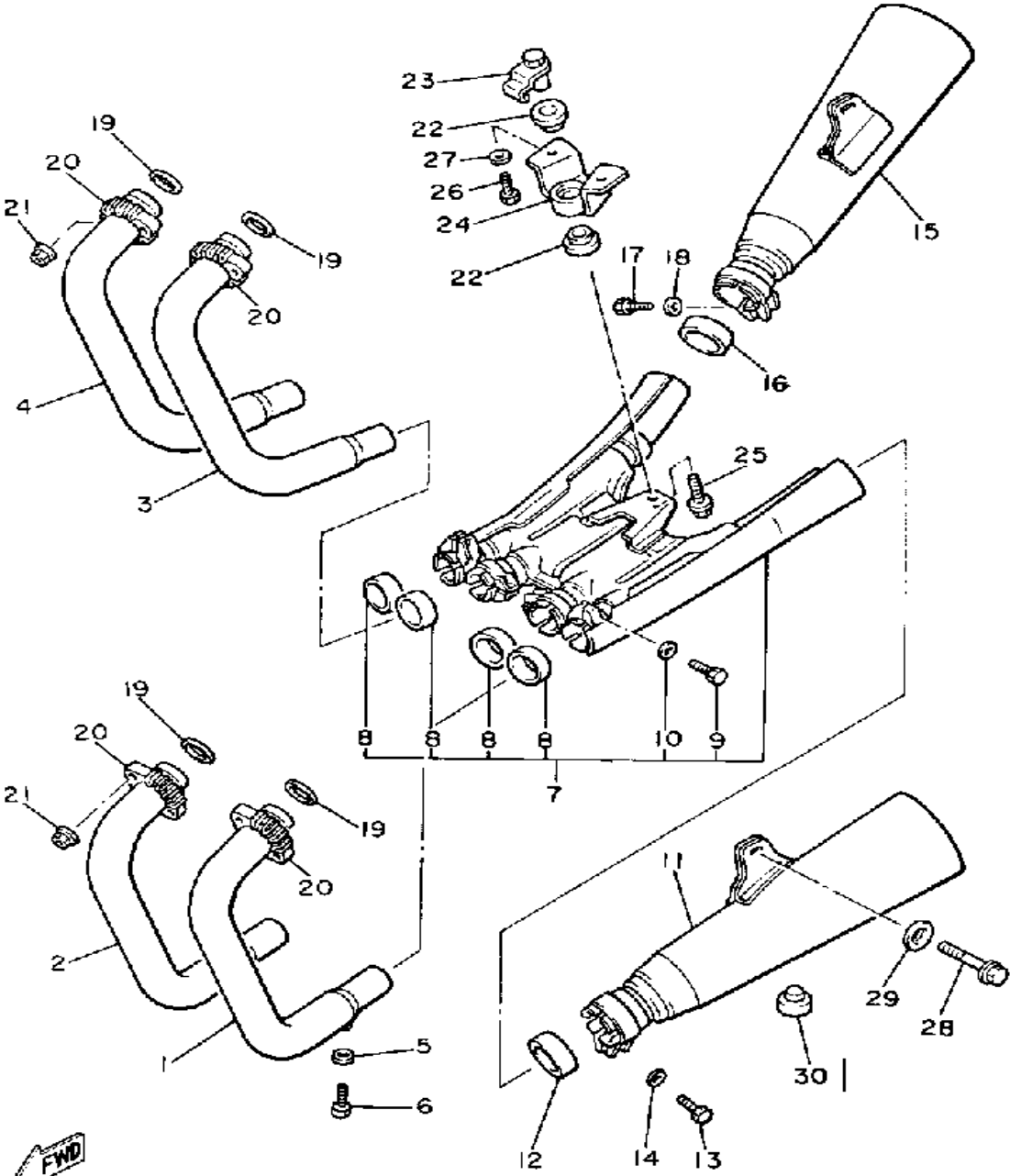


1FG110-5100

Ref. No.	Part Number	Description	Qty	Remarks
1	1FG-14611-01-00	PIPE, EXHAUST L	1	
2	1FG-14621-01-00	PIPE, EXHAUST R	1	
3	1FG-14631-01-00	PIPE, EXHAUST 3	1	
4	1FG-14641-01-00	PIPE, EXHAUST 4	1	
5	92990-06600-00	WASHER, PLATE	4	
6	90101-06576-00	BOLT	4	
7	1FG-14610-00-00	EXHAUST PIPE ASSEMBLY L	1	
8	1JK-14714-00-00	. GASKET, MUFFLER	4	
9	97016-08025-00	. BOLT	4	
10	92906-08600-00	. WASHER	4	
11	1NW-14710-00-00	MUFFLER ASSEMBLY L	1	
12	31A-14714-00-00	GASKET, MUFFLER	1	
13	97013-08025-00	BOLT	1	
14	92901-08600-00	WASHER	1	
15	1NH-14721-00-00	UNAVAILABLE IN PRICE BOOK (1FG-14721-00)	1	
16	31A-14714-00-00	GASKET, MUFFLER	1	
17	97013-08025-00	BOLT	1	
18	92901-08600-00	WASHER	1	
19	4H7-14613-00-00	GASKET, EXST PIPE	4	
20	5G2-14612-00-00	NUT, RING	4	
21	90179-06499-00	NUT	8	
22	36Y-14747-00-00	DAMPER, MUFFLER	2	
23	1AE-14638-00-00	COLLAR	1	
24	(1AA-14791-01-00)	STAY, MUFFLER	1	
25	95811-10040-00	BOLT, FLANGE (95801-10040)	1	
26	97013-08025-00	BOLT	2	
27	92901-08600-00	WASHER	2	
28	90105-08284-00	BOLT, WASHER BASED	2	

CONTINUED ON NEXT FRAME ►

EXHAUST

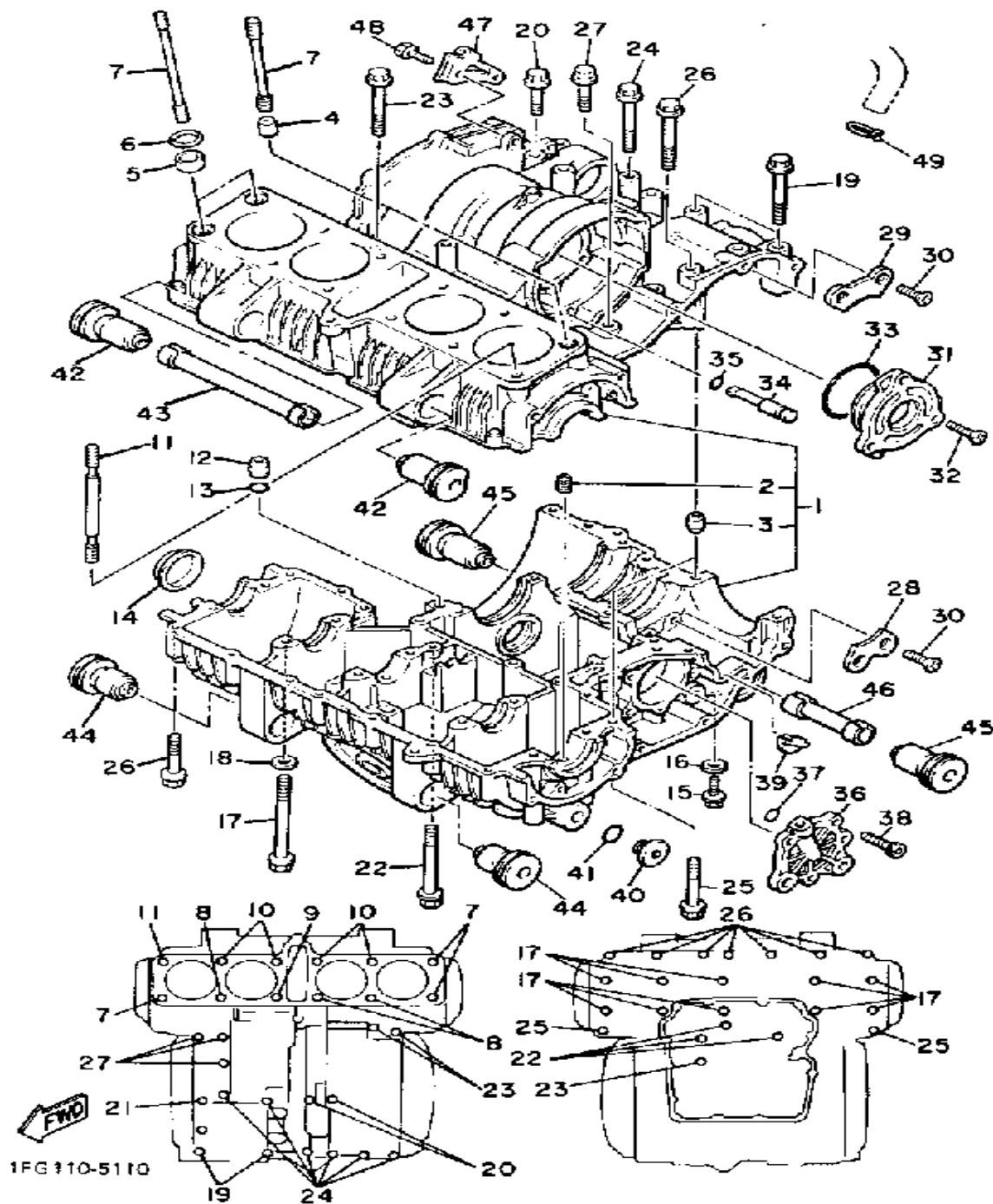


IFG110-5100

Ref. No.	Part Number	Description	Qty	Remarks
----------	-------------	-------------	-----	---------

29	90209-08249-00	WASHER	2	
30	1A0-27114-00-00	STOPPER, MAIN STAND	1	

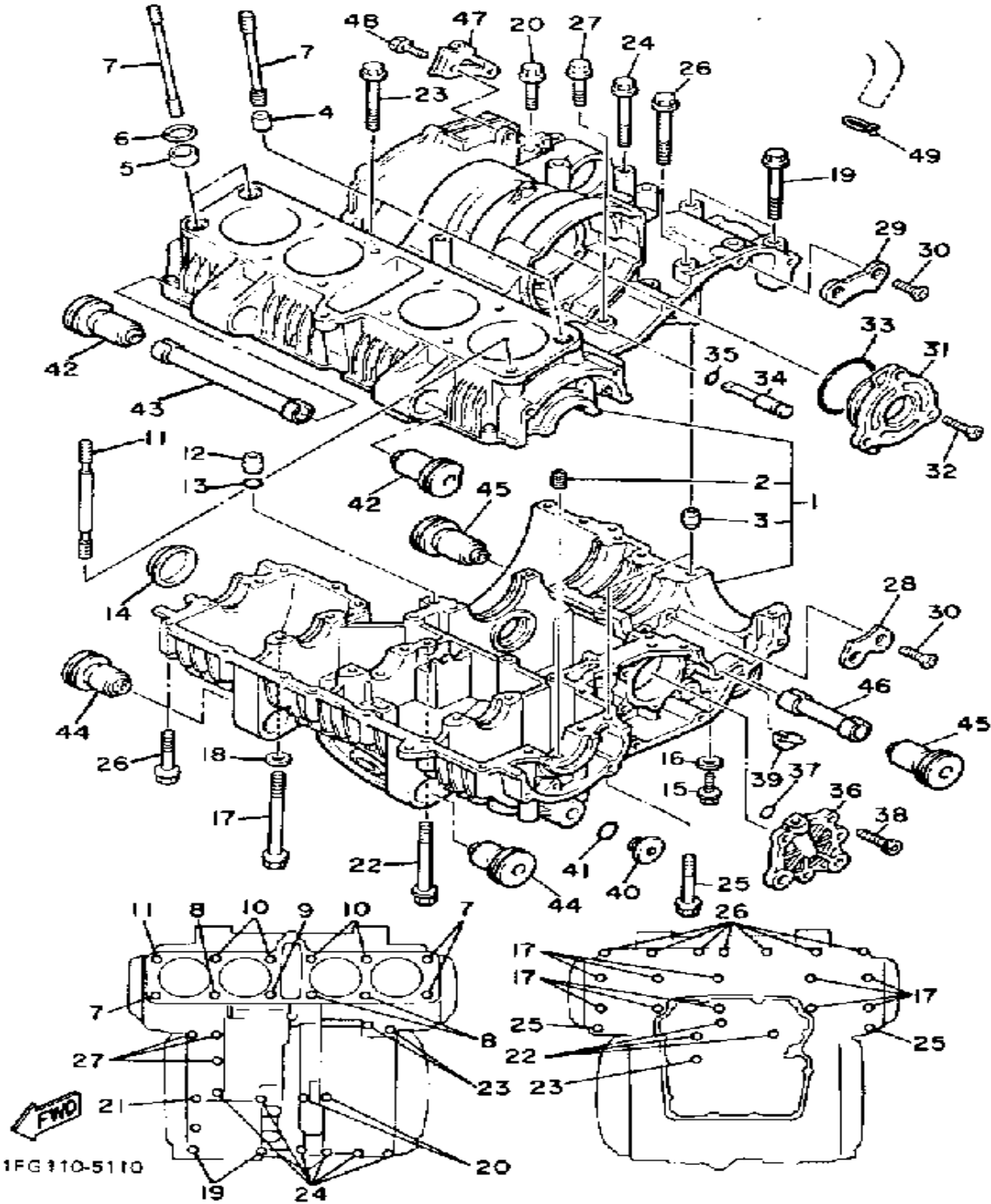
CRANKCASE



Ref. No.	Part Number	Description	Qty	Remarks
1	4H7-15100-03-00	CRANKCASE ASSEMBLY	1	
2	4H7-15138-00-00	. NOZZLE 1	3	
3	99510-12016-00	. PIN, DOWEL	3	
4	99530-14016-00	PIN, DOWEL	1	
5	90387-16547-00	COLLAR	2	
6	93210-18322-00	O-RING	2	
7	90116-10330-00	BOLT, STUD	3	
8	90116-10329-00	BOLT, STUD	3	
9	90116-10328-00	BOLT, STUD	1	
10	4H7-11363-00-00	BOLT, CYLINDER HOLDING 3	4	
	95811-08065-00	BOLT, FLANGE	2	
11	4H7-11364-00-00	BOLT, CYLINDER HOLDING 4	1	
12	99510-22016-00	UNAVAILABLE IN PRICE BOOK	1	
13	93210-11124-00	O-RING (1.6-10.6)	1	
14	4H7-15167-10-00	PLUG, BLIND 1	1	
15	90105-08003-00	BOLT, WASHER BASED (834-6777-00)	1	
16	90201-08087-00	WASHER, PLATE	1	
17	95811-08105-00	BOLT, FLANGE (95812-08105)	10	
18	90201-094G1-00	WASHER, PLATE	8	
20	95811-06135-00	BOLT, FLANGE	2	
21	95811-06120-00	BOLT, FLANGE	1	
22	95811-06080-00	BOLT, FLANGE	3	
23	95811-06070-00	BOLT, FLANGE	3	
24	95811-06060-00	BOLT, FLANGE	6	
25	95811-06055-00	BOLT, FLANGE (95802-06055)	2	
26	95811-08045-00	BOLT, FLANGE (JN5)	7	
27	95811-06035-00	BOLT, FLANGE	3	
28	ø31-A1538-10-0-	UNAVAILABLE IN PRICE BOOK	1	

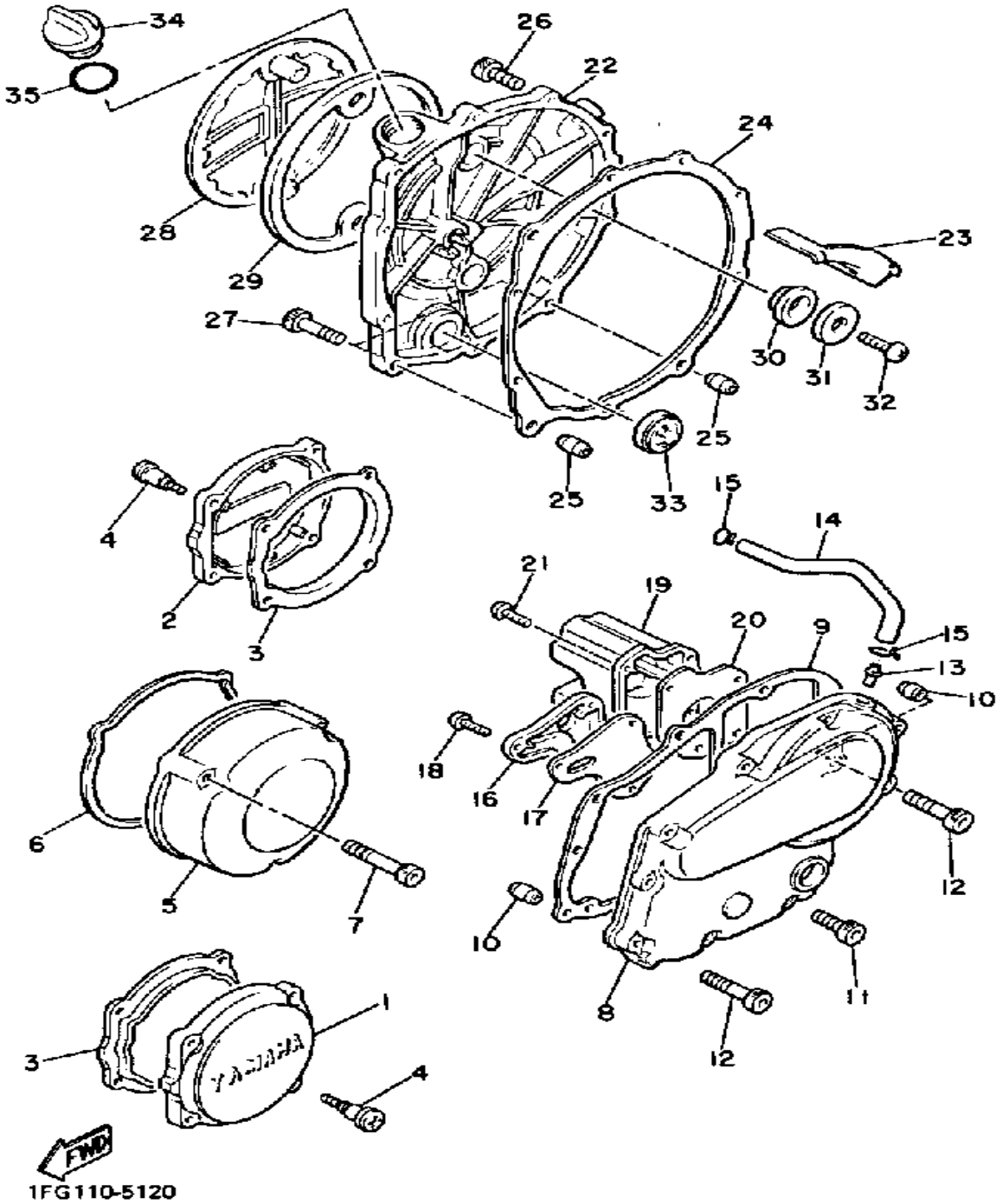
CONTINUED ON NEXT FRAME ►

CRANKCASE



Ref. No.	Part Number	Description	Qty	Remarks
29	31A-15383-00-00	PLATE, BRNG COVER	1	
30	90149-08152-00	SCREW	4	
31	4H7-15163-01-00	HOUSING, BEARING 1	1	
32	90151-06014-00	SCREW, COUNTERSUNK	3	
33	93210-62439-00	O-RING	1	
34	4H7-13454-00-00	NOZZLE	1	
35	93210-07540-00	O-RING	1	
36	16G-15164-00-00	HOUSING, BEARING 2	1	
37	93210-07438-00	O-RING	1	
38	91311-06020-00	BOLT, SOCKET HEAD	3	
39	4H7-15365-00-00	GROMMET	1	
40	4H7-15189-00-00	PLUG	2	
41	93210-20573-00	O-RING	2	
42	1AA-15336-00-00	DAMPER, ENGINE MOUNT 3	2	
43	4H7-15317-00-00	SPACER, ENG MOUNT (4W5-15317-00)	1	
44	1AA-15316-01-00	DAMPER, ENG MOUNT 1	2	
45	1AA-15326-00-00	DAMPER, ENGINE MOUNT 2	2	
46	4H7-15327-00-00	SPACER, ENG MOUNT (4W5-15327-00)	1	
47	4H7-15441-01-00	HOLDER, CLCH CABLE	1	
48	90110-06145-00	BOLT, HEX.SOCKET	2	
49	90465-10290-00	CLAMP	1	

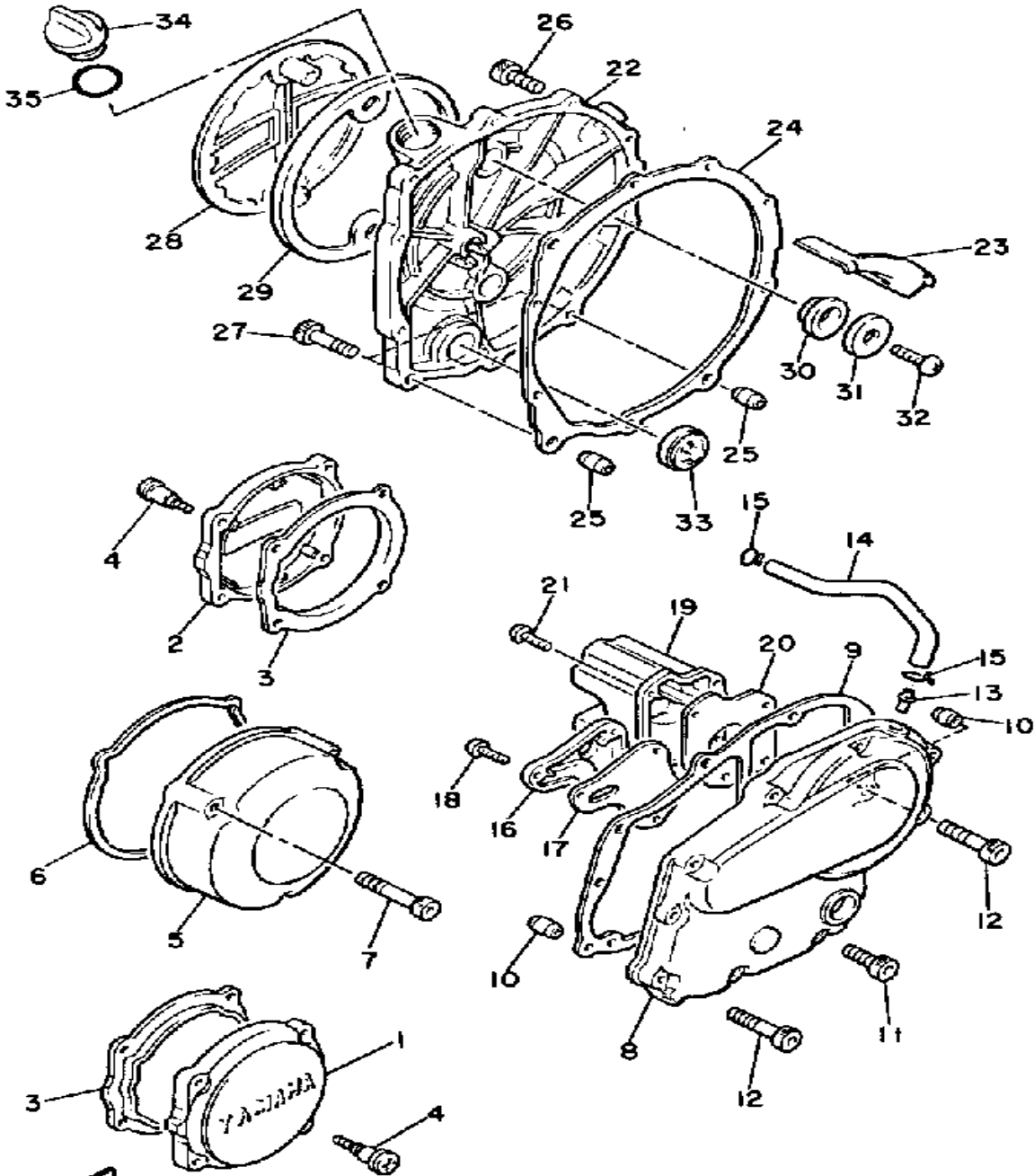
CRANKCASE COVER 1



Ref. No.	Part Number	Description	Qty	Remarks
1	1FG-15416-00-00	COVER, OIL PUMP	1	
2	1FG-15426-00-00	COVER, OIL PUMP 2	1	
3	33M-15449-00-00	RING, RUBBER	2	
4	1FG-15481-00-00	BOLT 1	8	
5	4H7-15415-00-00	COVER, GENERATOR	1	
6	4BB-15455-00-00	GASKET 1	1	
7	91311-06070-00	BOLT	3	
8	5N8-15411-00-00	COVER, CRANKCASE L	1	
9	4BB-15451-00-00	GASKET, CRCS CVR.	1	
10	99530-10014-00	PIN, DOWEL	2	
11	91311-06025-00	BOLT, SOCKET HEAD	8	
12	91311-06040-00	BOLT	2	
13	371-11167-01-00	PIPE, BREATHER 2	1	
14	1AA-11166-00-00	PIPE, BREATHER 1	1	
15	90467-14015-00	CLIP	2	
16	(4H7-15346-00-00)	BREATHER 1	1	
17	4BB-15457-00-00	GASKET	1	
18	98503-06014-00	SCREW, PAN HEAD (92502-06016)	3	
19	4H7-15347-00-00	BREATHER 2	1	
20	4BB-15467-00-00	GASKET	1	
21	98503-06014-00	SCREW, PAN HEAD (92502-06016)	4	
22	4H7-15421-02-00	COVER, CRANKCASE R	1	
23	4H7-15412-01-00	COVER, OIL PUMP	1	
24	4BB-15461-00-00	GASKET, CRCS CVR 2	1	
25	99530-10014-00	PIN, DOWEL	2	
26	91311-06025-00	BOLT, SOCKET HEAD	8	
27	91311-06040-00	BOLT	2	

CONTINUED ON NEXT FRAME ►

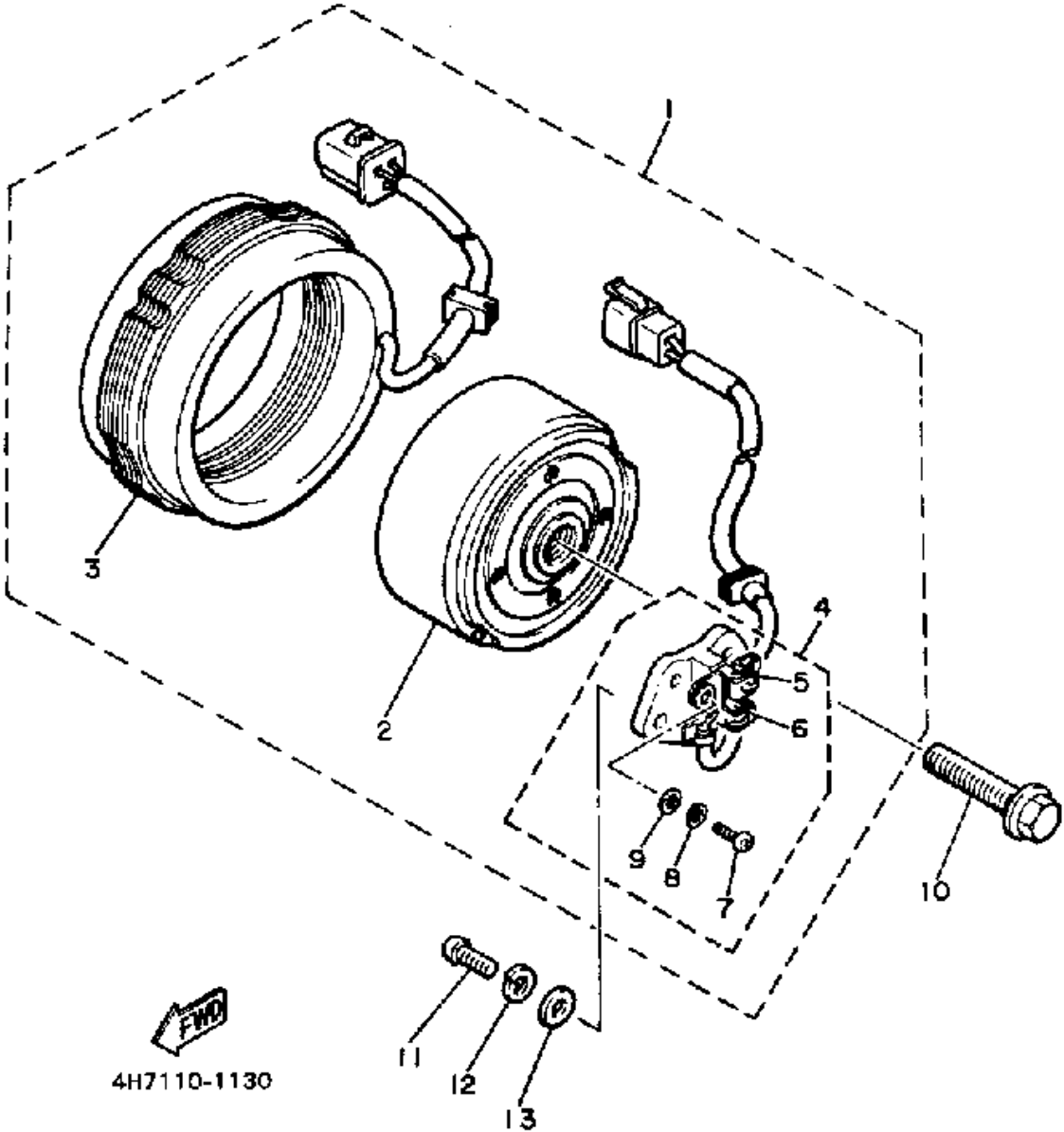
CRANKCASE COVER 1



1FG110-5120

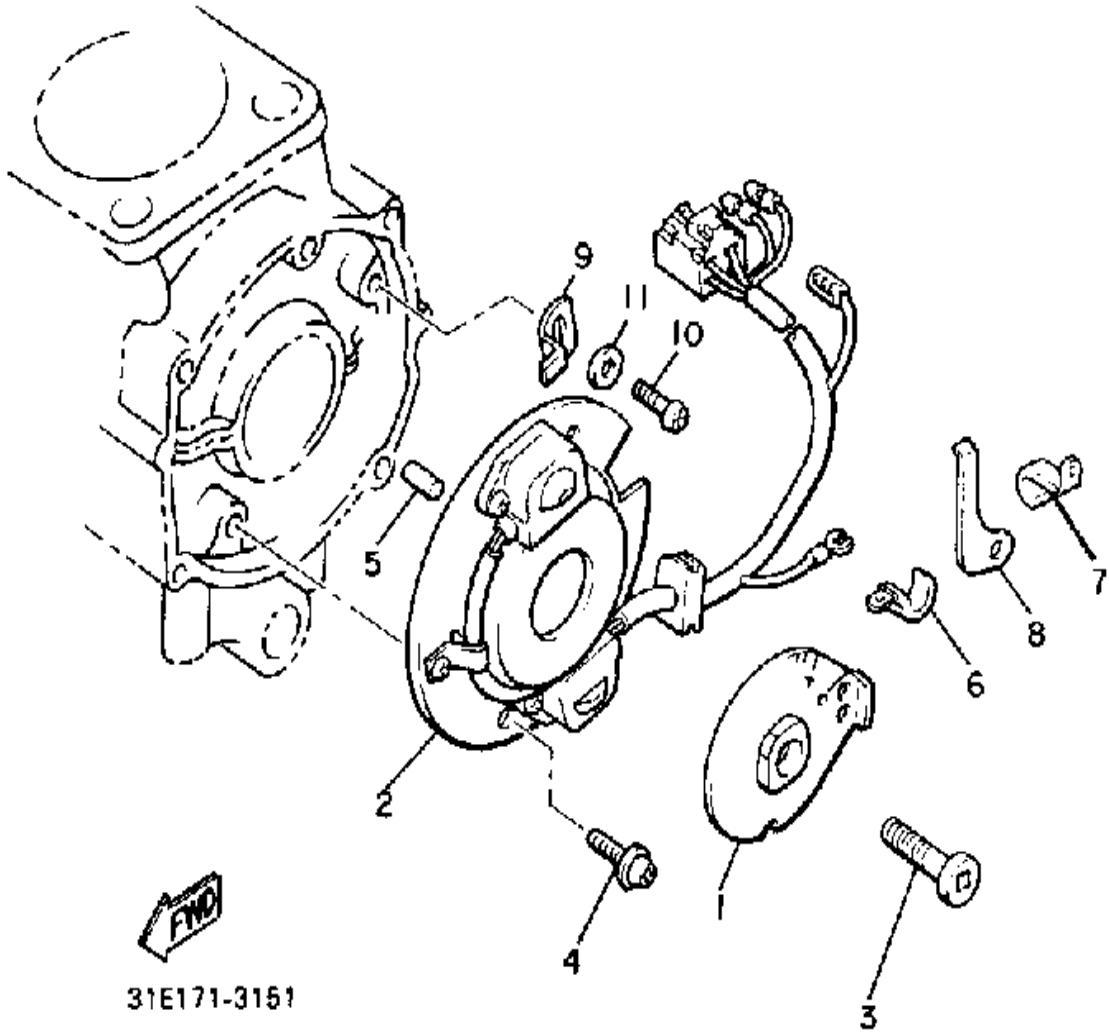
Ref. No.	Part Number	Description	Qty	Remarks
28	5G2-15417-00-00	COVER, CAP	1	
29	4H7-15449-00-00	RING, RUBBER	1	
30	4H7-15486-00-00	GROMMET	2	
31	90209-06096-00	WASHER	2	
32	98503-06014-00	SCREW, PAN HEAD (92502-06016)	2	
33	2H7-15361-00-00	GAUGE, LEVEL	1	
34	2H7-15363-00-00	PLUG, OIL	1	
35	93210-27778-00	O-RING	1	

GENERATOR



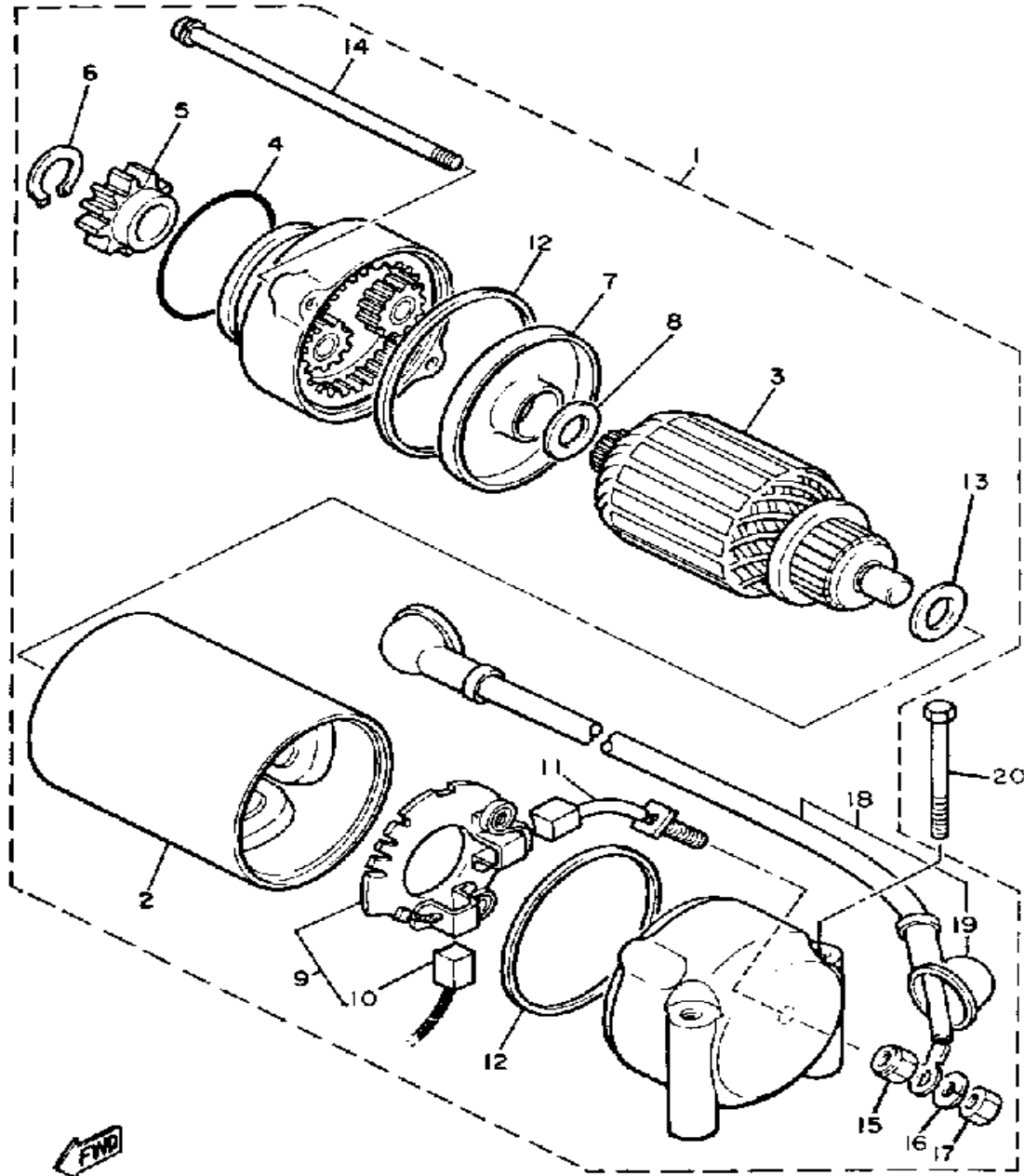
Ref. No.	Part Number	Description	Qty	Remarks
1	(4H7-81600-10-00)	AC GENERATOR ASSEMBLY	1	
2	4H7-81650-10-00	. ROTOR ASSEMBLY	1	
3	4H7-81610-10-00	. STATOR ASSEMBLY	1	
4	4H7-81619-10-00	. BRUSH HOLDER ASSEMBLY	1	
5	46X-81611-10-00	.. BRUSH 1	1	
6	4G0-81612-10-00	.. BRUSH 2	1	
7	98511-04012-00	.. SCREW, PAN HEAD	2	
8	92990-04100-00	.. WASHER, SPRING	2	
9	92901-04600-00	.. WASHER, PLATE	2	
10	90105-10152-00	BOLT, WASHER BASED	1	
11	92503-06016-00	UNAVAILABLE IN PRICE BOOK (92502-06016)	2	
12	92995-06100-00	WASHER, SPRING	2	
13	92990-06600-00	WASHER, PLATE	2	

PICKUP COIL-GOVERNOR



Ref. No.	Part Number	Description	Qty	Remarks
1	1NH-81673-11-00	ROTOR	1	
2	1AA-81671-10-00	BASE, PICKUP	1	
3	91316-08030-00	BOLT, SOCKET HEAD	1	
4	90159-06107-00	SCREW, WITH WASHER	2	
5	93604-08071-00	PIN, DOWEL	1	
6	90465-08277-00	CLAMP	1	
7	90465-08156-00	CLAMP	1	
8	90465-12160-00	CLAMP	1	
9	4H7-81632-00-00	PLATE, TIMING	1	
10	98580-06012-00	SCREW, PAN HEAD	1	
11	92990-06200-00	WASHER	1	

STARTING MOTOR

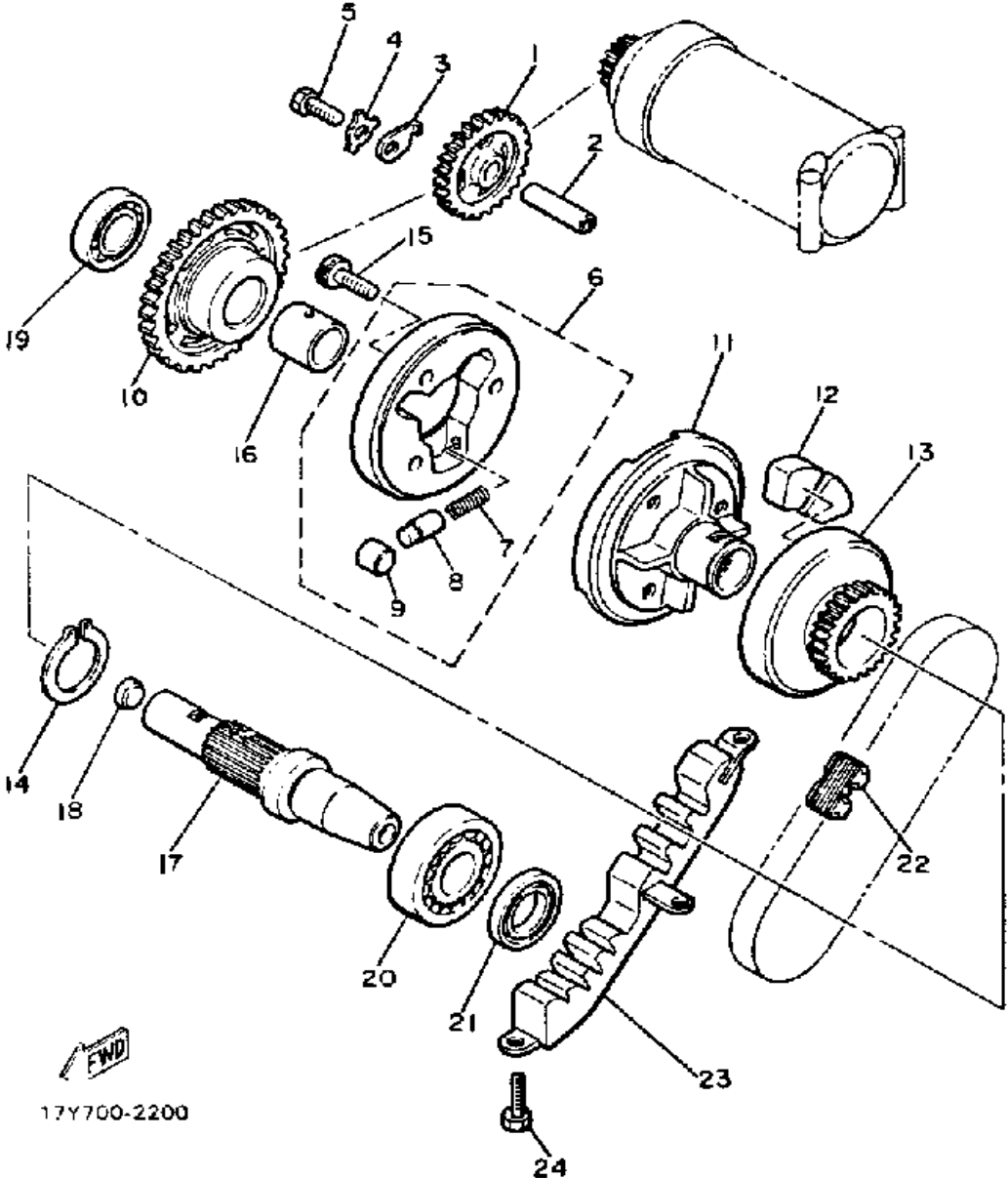


Ref. No.	Part Number	Description	Qty	Remarks
1	4BB-81800-00-00	STARTING MOTOR ASSEMBLY	1	
2	4H7-81810-01-00	. STATOR ASSEMBLY	1	
3	4H7-81850-00-00	. ARMATURE ASSEMBLY	1	
4	4H7-81847-01-00	. O-RING	1	
5	4H7-15511-01-00	. GEAR, STARTING MTR	1	
6	4H7-81819-00-00	. CIRCLIP	1	
7	(4H7-81845-00-00)	PLATE	1	
8	4H7-81843-50-00	. WASHER 1	1	
9	4H7-81840-01-00	. BRUSH HOLDER ASSEMBLY	1	
10	4H7-81811-00-00	. BRUSH 1	1	
11	4H7-81812-01-00	. BRUSH 2	1	
12	4H7-81844-00-00	. O-RING (4H7-81844-50-00)	2	
13	(4H7-81824-00-00)	WASHER 2	1	
14	4H7-81826-01-00	. BOLT	2	
15	4H7-81872-00-00	. NUT, SPECIAL	1	
16	92995-06100-00	. WASHER, SPRING	1	
17	95380-06600-00	. NUT	1	
18	4H7-81815-00-00	. WIRE, STARTER	1	
19	(4H7-81871-00-00)	CAP	2	
20	95801-06060-00	BOLT, FLANGE	1	

4H7110-1152

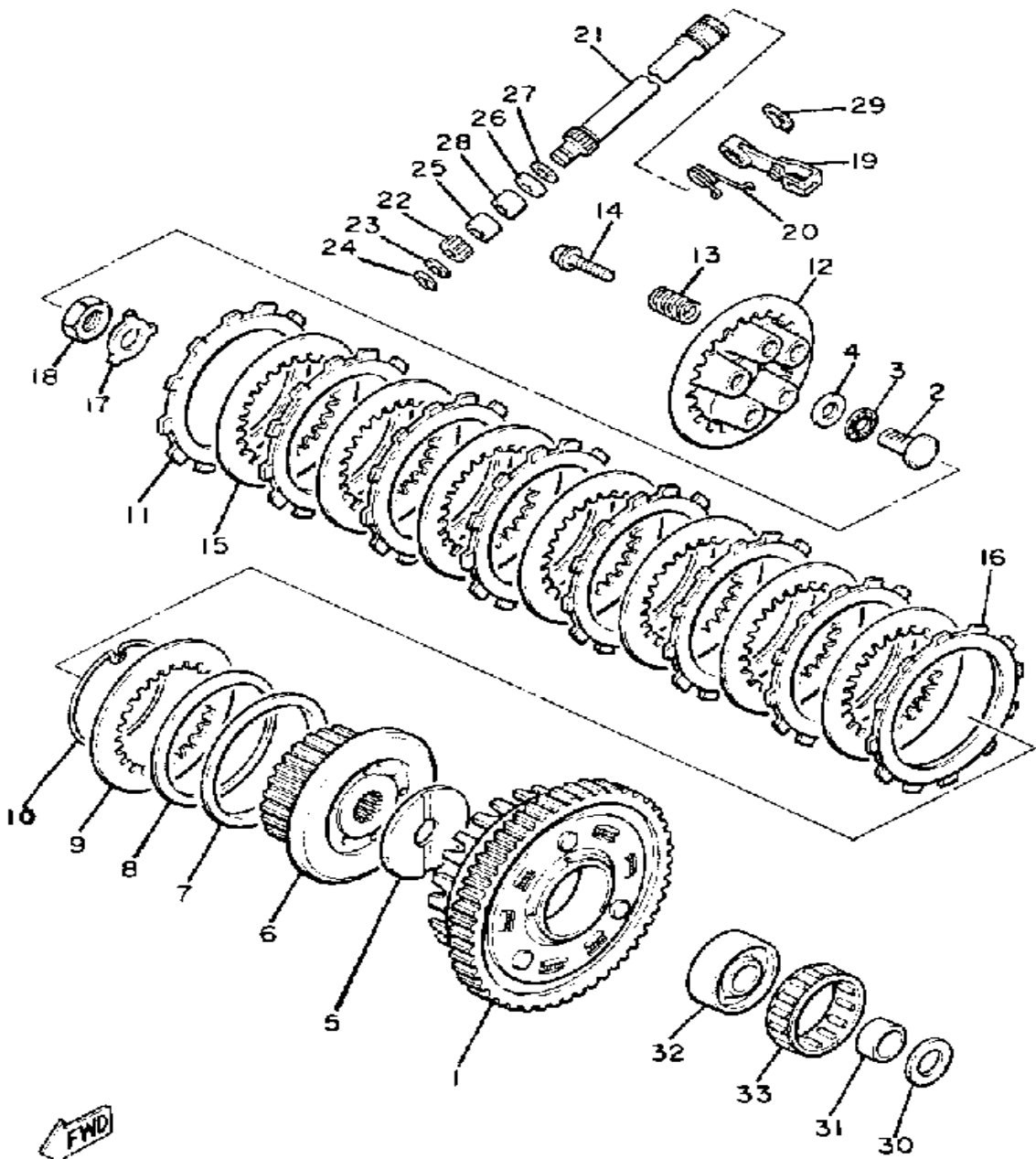
STARTER CLUTCH

Ref. No.	Part Number	Description	Qty	Remarks
1	4H7-15512-00-00	GEAR, IDLER 1	1	
2	4H7-15521-00-00	SHAFT 1	1	
3	2H7-15531-00-00	PLATE, STOPPER	1	
4	90215-06040-00	WASHER, LOCK	1	
5	97313-06016-00	BOLT, HEXAGON	1	
6	31A-15580-00-00	STR CLUTCH OTR ASSEMBLY OUTER ASSEMBLY	1	
7	90501-04503-00	. SPRING, COMPRESSION	3	
8	341-15583-05-00	. CAP, STR CLUTCH SPR -CLUTCH SPRING	3	
9	93615-12088-00	. PIN, DOWEL	3	
10	4H7-15517-00-00	GEAR, IDLER 2	1	
11	4H7-15524-00-00	WHEEL, STARTER	1	
12	4H7-16155-01-00	ABSORBER 1	4	
13	4H7-15519-00-00	SPROCKET, STARTER 2	1	
14	93410-32052-00	CIRCLIP	1	
15	91316-08014-00	BOLT	3	
16	90387-202A7-00	COLLAR	1	
17	(4H7-15522-00-00)	SHAFT 2	1	
18	90331-12028-00	PLUG, TIGHT	1	
19	93306-00426-00	BEARING	1	
20	93306-20541-00	BEARING (B6205)	1	
21	93102-25218-00	OIL SEAL, SD-TYPE	1	
22	4H7-11456-00-00	CHAIN, PRIMARY	1	
23	4H7-11474-01-00	GUIDE, UPPER	1	
24	97301-06014-00	BOLT, HEXAGON	3	



17Y700-2200

CLUTCH



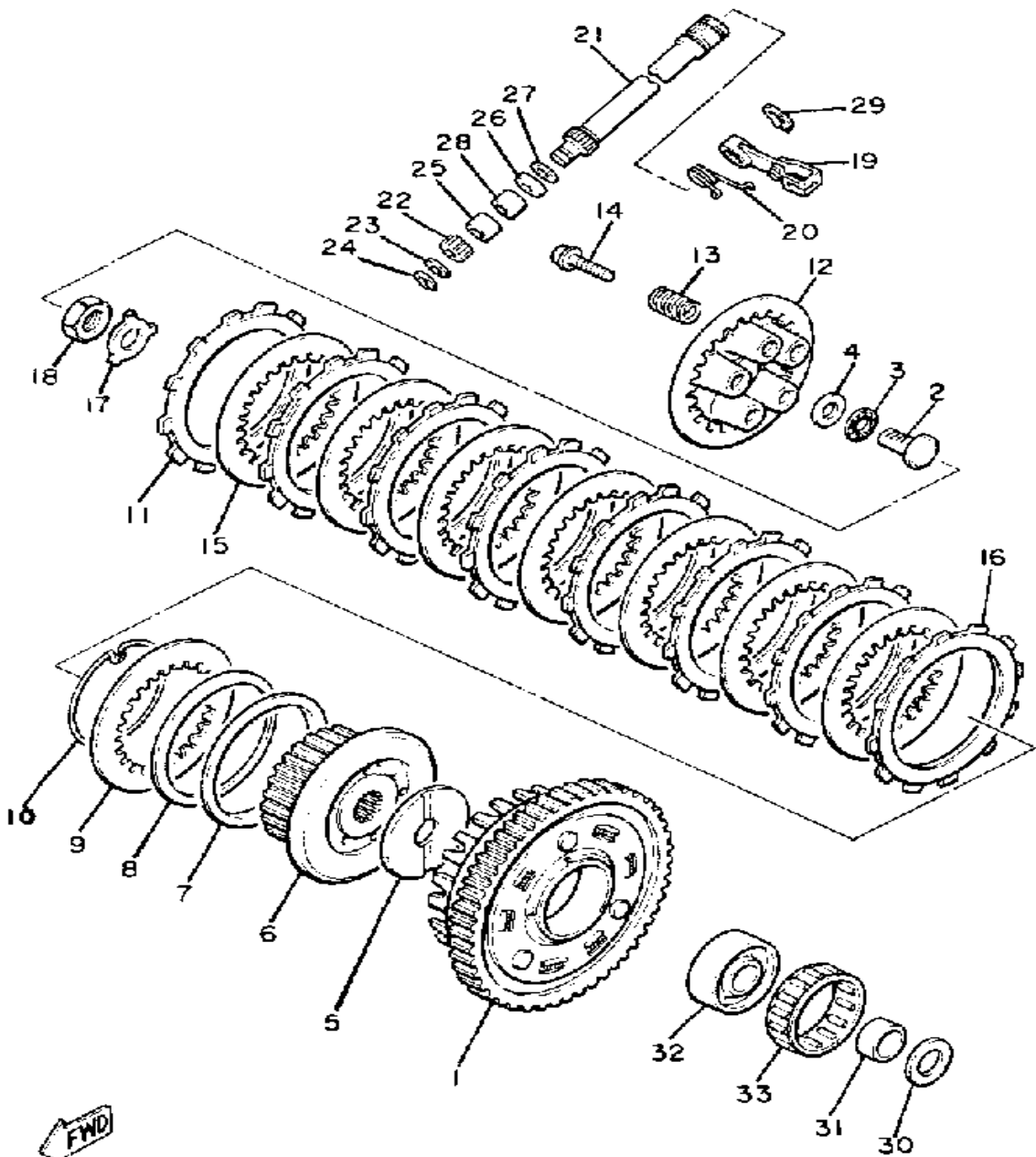
38X010-3140

Ref. No.	Part Number	Description	Qty	Remarks
1	31A-16150-00-00	PRI DRVN GEAR	1	
2	4H7-16356-01-00	ROD, PUSH 1	1	
3	93340-21505-00	BEARING	1	
4	90201-154E9-00	WASHER, PLATE	1	
5	4H7-16154-00-00	PLATE, THRUST 1	1	
6	58L-16371-01-00	BOSS, CLUTCH	1	
7	1J7-16384-00-00	PLATE, SEAT	1	
8	5G2-16383-00-00	SPRING, CLUTCH BOSS	1	
9	168-16324-00-00	PLATE, CLUTCH 1	1	
10	1J7-16385-00-00	RING, CLUTCH BOSS	1	
11	4H7-16321-01-00	PLATE, FRICTION	7	
12	58L-16351-00-00	PLATE, PRESSURE 1	1	
13	90501-217A1-00	SPRING, COMPRESSION	6	
14	90159-06092-00	SCREW, WITH WASHER	6	
15	31A-16325-00-00	PLATE, CLUTCH 2	7	
16	31A-16321-00-00	PLATE, FRICTION	1	
17	90215-20231-00	WASHER, LOCK	1	
18	90170-20327-00	NUT	1	
19	4H7-16340-00-00	PUSH LEVER ASSEMBLY	1	
20	90508-16459-00	SPRING, TORSION	1	
21	4H7-16382-01-00	AXLE, PUSH LEVER	1	
22	4H7-16398-00-00	PINION, RELEAS (16T)	1	
23	92901-08600-00	WASHER	1	
24	99080-07600-00	CIRCLIP (E)	1	
25	93317-11020-00	BEARING	1	
26	93102-12224-00	OIL SEAL	1	
27	90201-12M34-00	WASHER, PLATE	1	
28	93315-11206-00	BEARING	1	
29	99001-09600-00	CIRCLIP	1	

CONTINUED ON NEXT FRAME ►

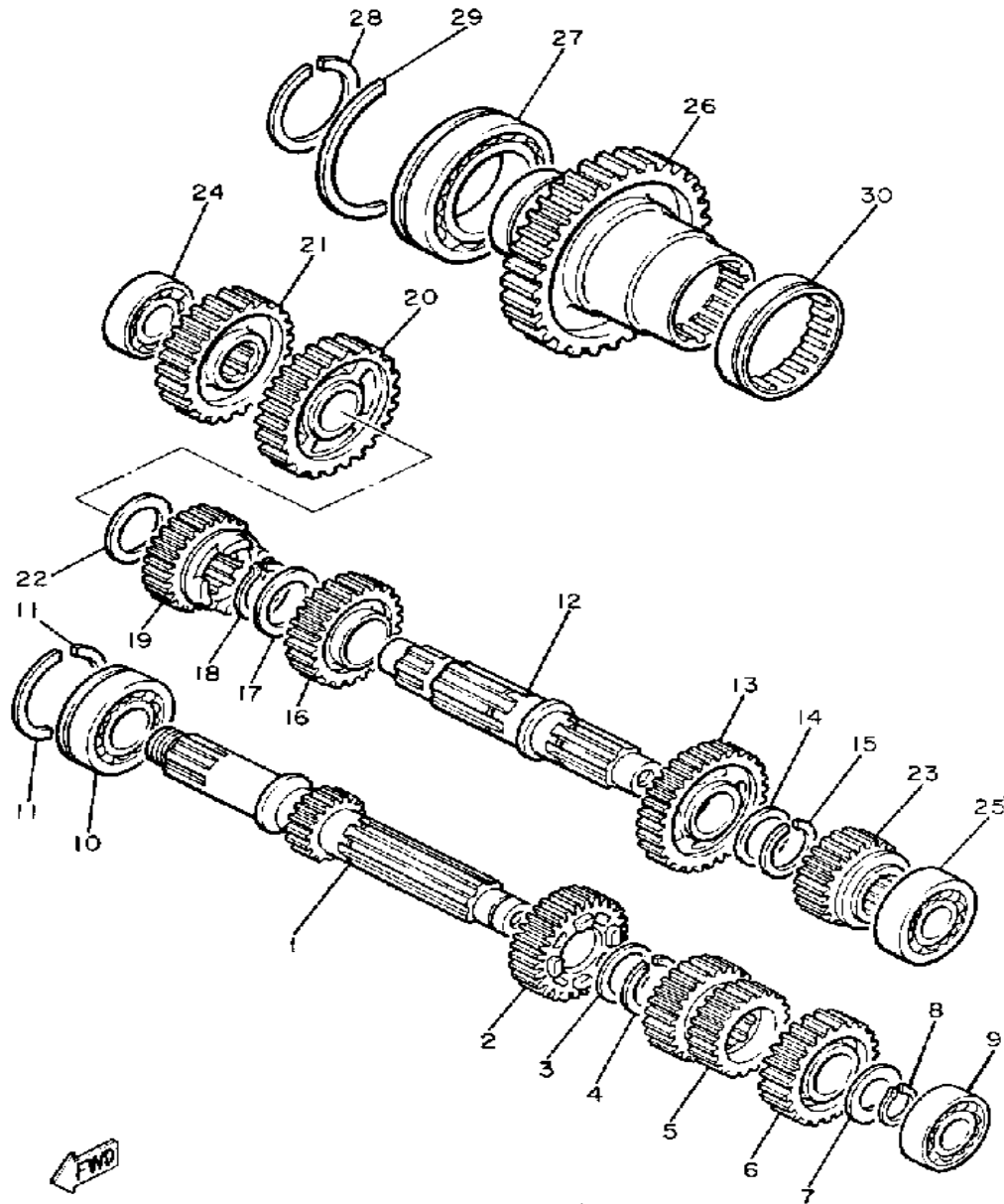
CLUTCH

Ref. No.	Part Number	Description	Qty	Remarks
30	2K7-16154-00-00	PLATE, THRUST 1	1	
31	90387-252A8-00	COLLAR	1	
32	4H7-16181-00-00	SPACER 1	1	
33	93310-365H3-00	BEARING, CYLINDER.# 0	1	



38X010-3140

TRANSMISSION

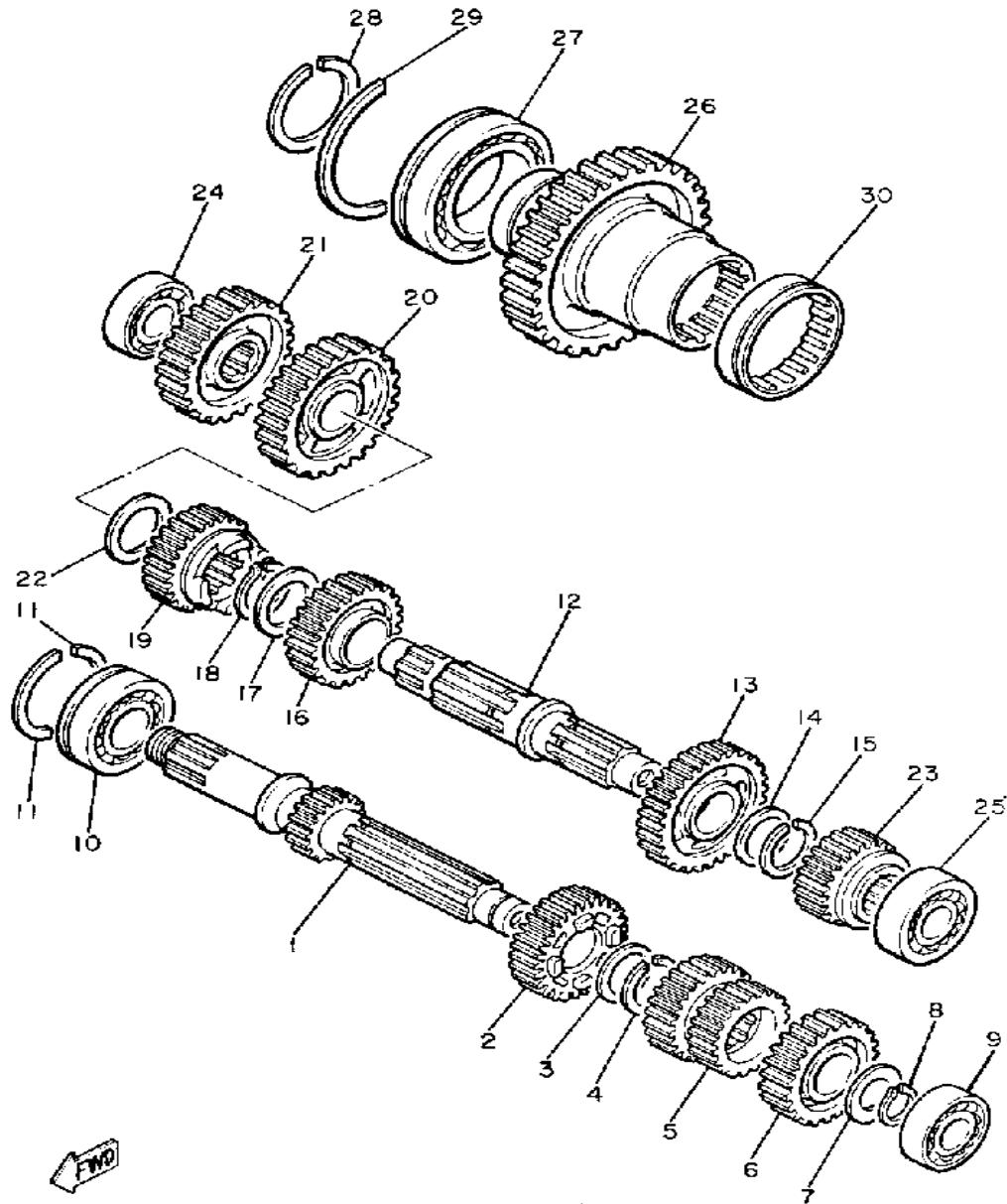


Ref. No.	Part Number	Description	Qty	Remarks
1	4H7-17401-00-00	MAIN AXLE ASSEMBLY	1	
2	4H7-17141-00-00	GEAR, 4TH PINION	1	
3	90209-22191-00	WASHER	1	
4	93440-25084-00	CIRCLIP	1	
5	4BB-17121-00-00	GEAR, 2ND PINION	1	
6	4H7-17151-00-00	GEAR, 5TH PINION	1	
7	90201-20276-00	WASHER, PLATE (1.0T)	1	
8	99009-20400-00	CIRCLIP	1	
9	93306-20458-00	BEARING	1	
10	93306-30550-00	BEARING	1	
11	278-17424-01-00	CIRCLIP 1	2	
12	4H7-17402-01-00	DRIVE AXLE ASSEMBLY	1	
13	4BB-17221-00-00	GEAR, 2ND WHEEL	1	
14	90209-22252-00	WASHER, SPEC'L SHAP	1	
15	93440-25084-00	CIRCLIP	1	
16	4BB-17231-00-00	GEAR, 3RD WHEEL	1	
17	90209-25196-00	WASHER	1	
18	93440-28062-00	CIRCLIP	1	
19	4H7-17241-00-00	GEAR, 4TH WHEEL	1	
20	4H7-17211-01-00	GEAR, 1ST WHEEL	1	
21	4H7-17582-00-00	GEAR, MIDDLE DRIVE	1	
22	90201-243A2-00	WASHER, PLATE	1	
23	16G-17251-00-00	GEAR, 5TH WHEEL	1	
24	93306-30311-00	BEARING	1	
25	93306-20439-00	BEARING	1	
26	1AA-17583-00-00	GEAR, MIDDLE DRIVEN	1	
27	93306-91101-00	BEARING	1	
28	93410-55057-00	CIRCLIP	1	
29	93440-80082-00	CIRCLIP, OUTER	1	

Oiling System	Wet Sump
Capacity: Dry	3.5 Ltr. (3.7 qt)
Oil & Filter Change / Oil Change Only	2.8 Ltr (3.0 qt) / 2.5 Ltr (2.6 qt)
Oil Filter Part Number	1L9-13440-91-00
Lubricant: Temp Above 5°C (40°F)	Yamalube 4* or SAE 20W40 SE or SF
Temp Below 15°C (60°F)	SAE 10W30 SE or SF

CONTINUED ON NEXT FRAME ►

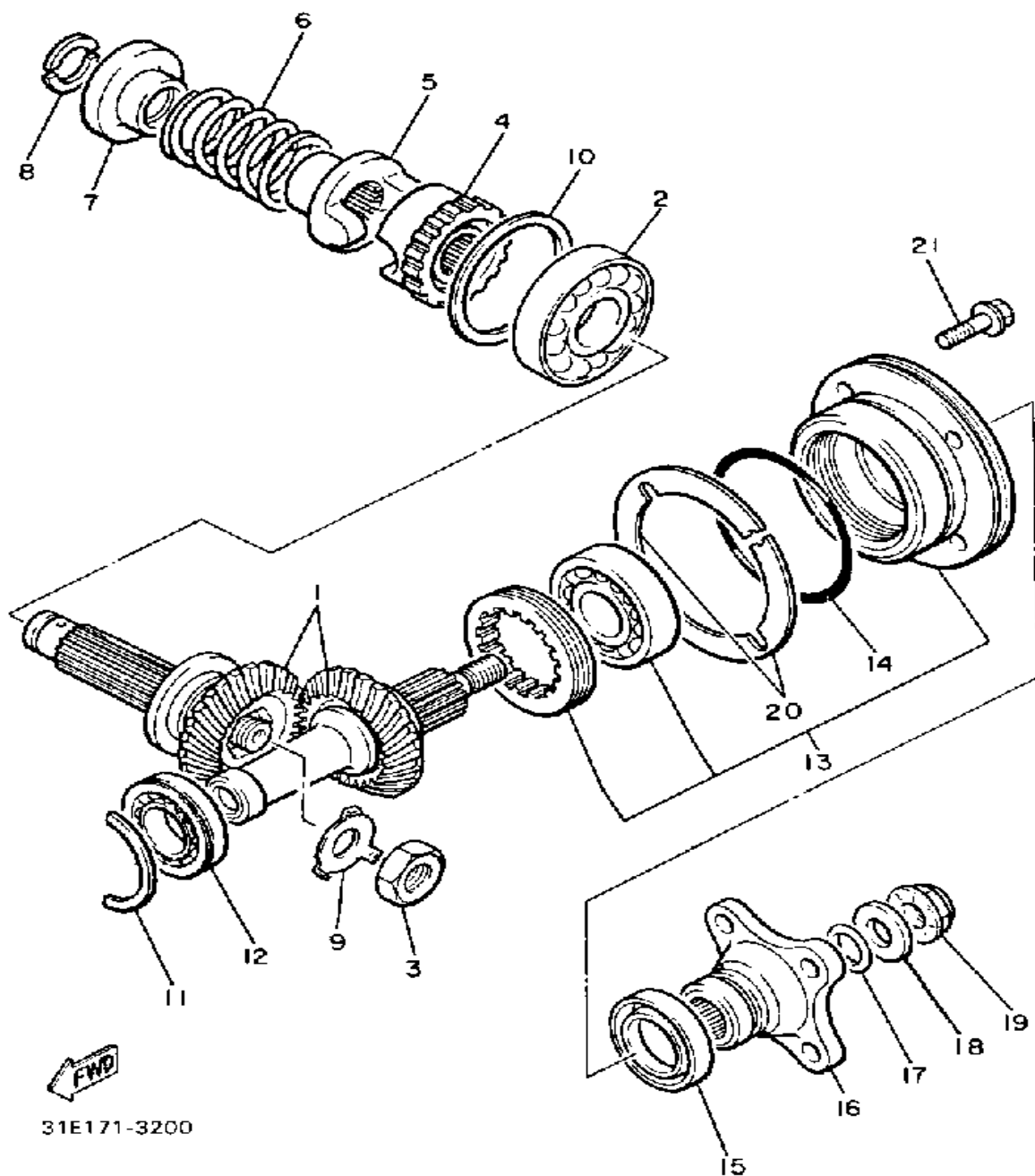
TRANSMISSION



Ref. No.	Part Number	Description	Qty	Remarks
30	93311-36042-00	BEARING, CYLINDER.# 1 1	

Oiling System	Wet Sump
Capacity: Dry	3,5 Ltr. (3.7 qt)
Oil & Filter Change / Oil Change Only	2,8 Ltr (3.0 qt) / 2,5 Ltr (2.6 qt)
Oil Filter Part Number	1L9-13440-91-00
Lubricant: Temp Above 5°C (40°F)	Yamalube 4* or SAE 20W40 SE or SF
Temp Below 15°C (60°F)	SAE 10W30 SE or SF

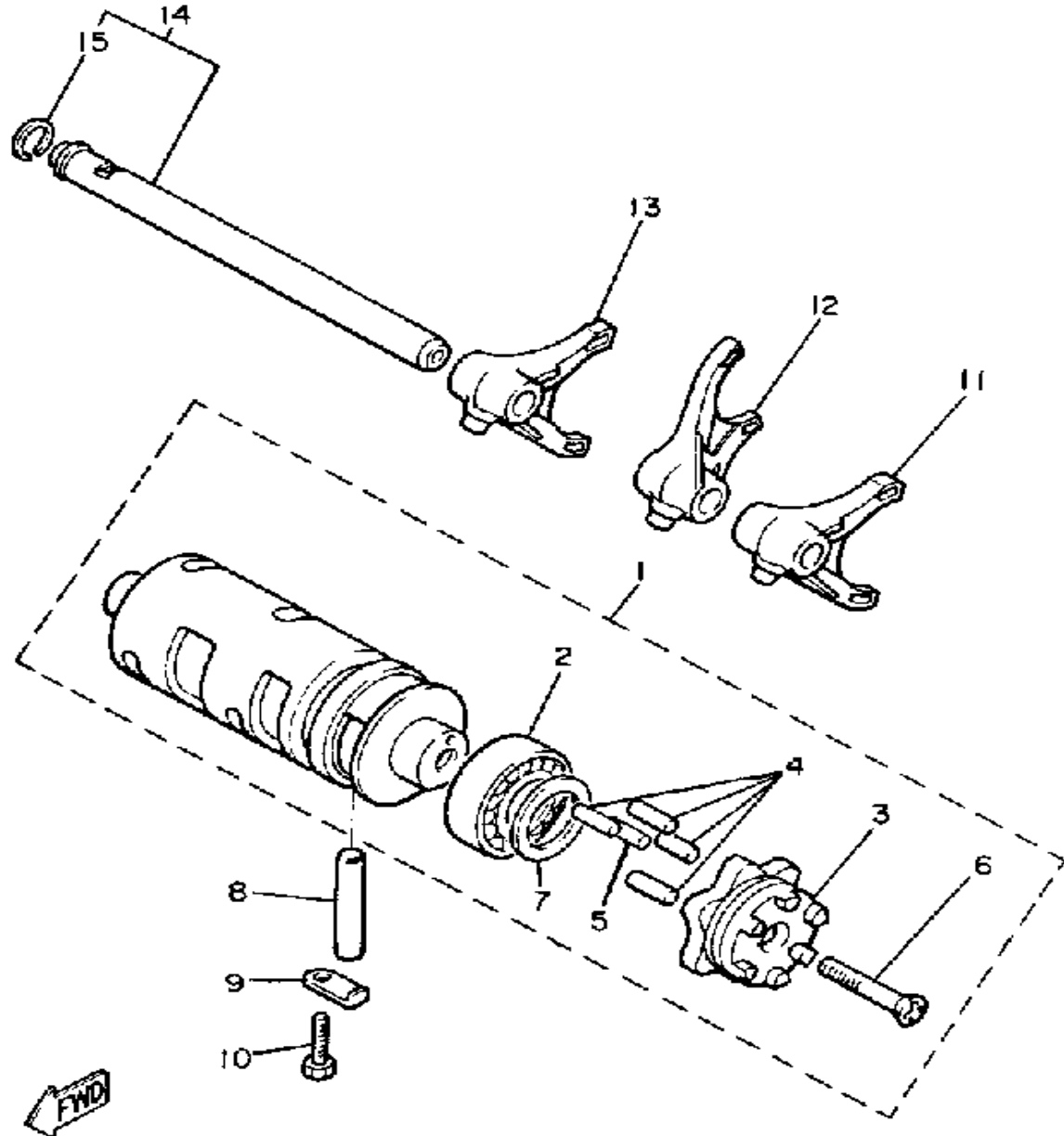
MIDDLE DRIVE GEAR



31E171-3200

Ref. No.	Part Number	Description	Qty	Remarks
1	31A-W1751-01-00	MIDDLE GEAR	1	
2	93306-20709-00	BEARING	1	
3	90179-18360-00	NUT, SPEC'L SHAPE	1	
4	31A-17526-00-00	CAM, DRIVE	1	
5	31A-17527-00-00	CAM, DRIVEN	1	
6	90501-70762-00	SPRING, COMPRESSION	1	
7	4H7-17524-00-00	HOLDER	1	
8	3H5-17529-00-00	WASHER, THRUST	2	
9	90215-23265-00	WASHER, LOCK	1	
10	4H7-17537-00-20	SHIM, THRUST (0.20T)	1	U.R.
	4H7-17537-00-30	SHIM, THRUST (0.30T)	1	U.R.
	4H7-17537-00-40	SHIM, THRUST (0.40T)	1	U.R.
11	93440-47081-00	CIRCLIP, OUTER	1	
12	93306-00519-00	BEARING	1	
13	31A-W1752-00-00	HOUSING	1	
14	93210-71360-00	O-RING	1	
15	93101-35097-00	OIL SEAL	1	
16	4H7-17555-00-00	FLANGE, MIDDLE GEAR	1	
17	93210-14359-00	O-RING	1	
18	90201-14633-00	WASHER, PLATE	1	
19	90179-14317-00	NUT, SPEC'L SHAPE	1	
20	3JB-17531-10-00	SHIM, PINION (0.15T)	1	U.R.
	3JB-17531-20-00	SHIM, PINION (0.20T)	1	U.R.
	3JB-17531-30-00	SHIM, PINION (0.30T)	1	U.R.
	3JB-17531-40-00	SHIM, PINION (0.40T)	1	U.R.
	4H7-17531-00-15	SHIM, PINION	1	U.R.
21	95811-08030-00	BOLT, FLANGE	4	

SHIFT CAM-FORK

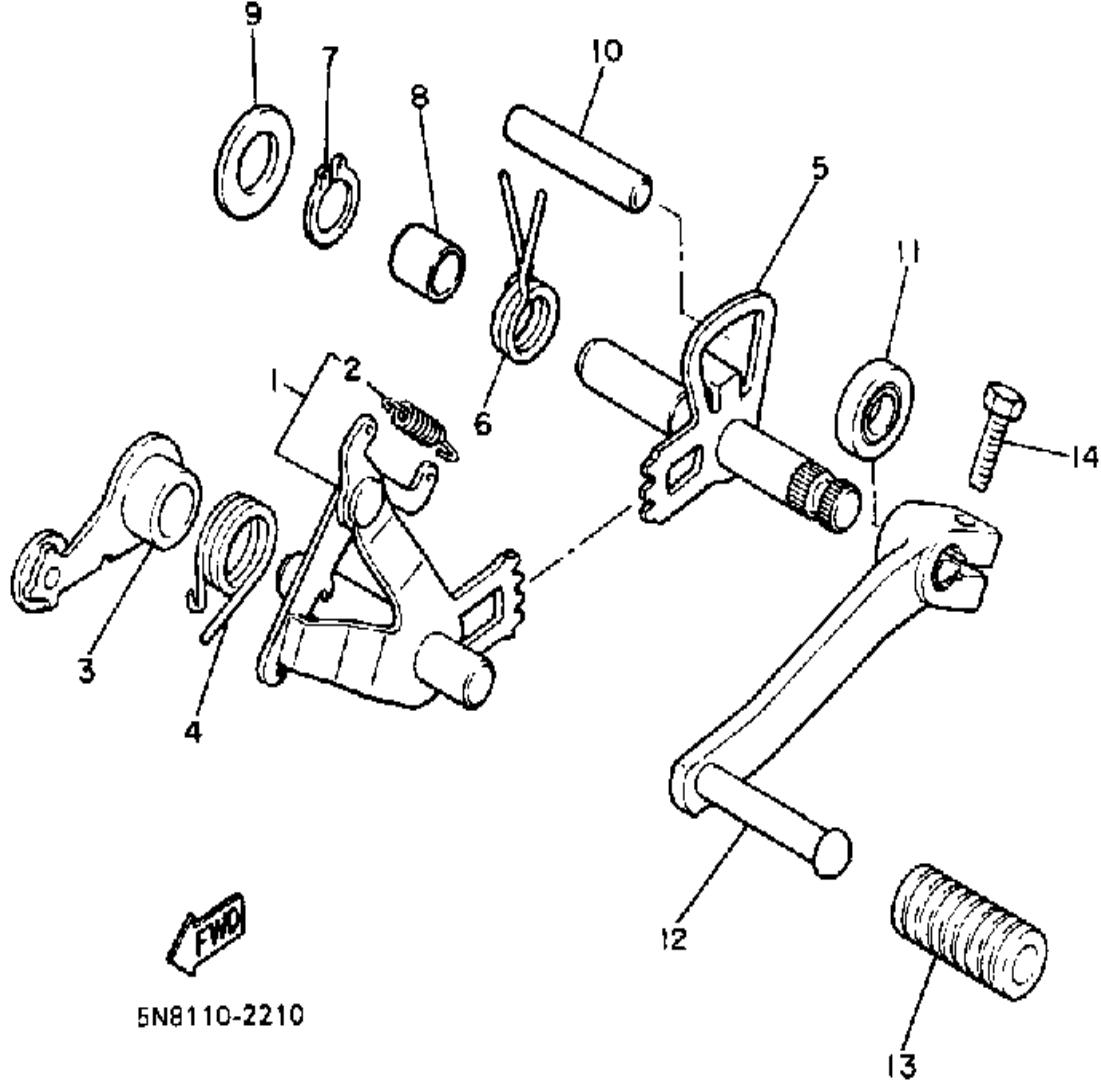


Ref. No.	Part Number	Description	Qty	Remarks
1	16G-18540-00-00	SHIFT CAM ASSEMBLY	1	
2	93306-90501-00	. BEARING	1	
3	16G-18185-00-00	. SEGMENT	1	
4	93604-16092-00	. PIN, DOWEL	4	
5	93604-10011-00	. PIN, DOWEL	1	
6	98701-05035-00	. SCREW, FLAT HEAD	1	
7	90201-253K0-00	. WASHER, PLATE (T=1.0)	1	
8	93608-43157-00	PIN, DOWEL	1	
9	2H7-15531-00-00	PLATE, STOPPER	1	
10	97313-06016-00	BOLT, HEXAGON	1	
11	4H7-18511-01-00	FORK, SHIFT 1	1	
12	4H7-18512-01-00	FORK, SHIFT 2	1	
13	4H7-18513-01-00	FORK, SHIFT 3	1	
14	4H7-18531-00-00	BAR, SHIF FRK GDE 1	1	
15	93440-11029-00	. CIRCLIP, OUTER	1	

6G110-3241

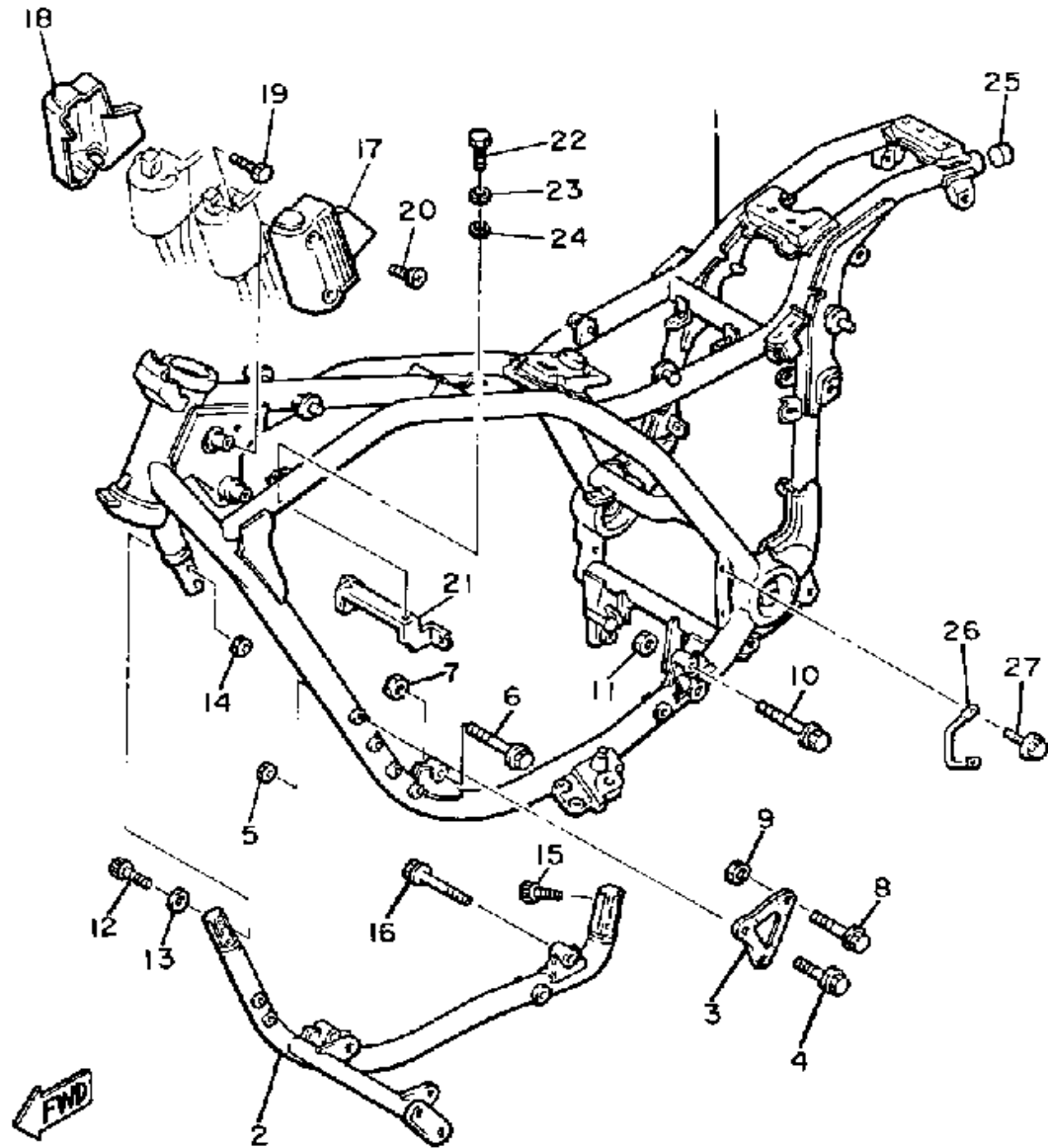


SHIFT SHAFT



Ref. No.	Part Number	Description	Qty	Remarks
1	4H7-18101-00-00	SHIFT SHAFT ASSEMBLY 1	1	
2	90506-08227-00	. SPRING, TENSION	1	
3	4H7-18140-00-00	STOPPER LEVER ASSEMBLY	1	
4	90508-29530-00	SPRING, TORSION	1	
5	4H7-18120-02-00	SHIFT LEVER ASSEMBLY	1	
6	90508-32535-00	SPRING, TORSION	1	
7	99006-10600-00	CIRCLIP	1	
8	90387-124F4-00	COLLAR	1	
9	90201-12166-00	WASHER, PLATE	1	
10	93608-50158-00	PIN, DOWEL	1	
11	93102-12321-00	OIL SEAL, SD-TYPE	1	
12	4H7-18111-00-00	PEDAL, SHIFT	1	
13	132-18113-01-00	COVER, SHIFT PEDAL	1	
14	97011-06020-00	BOLT	1	

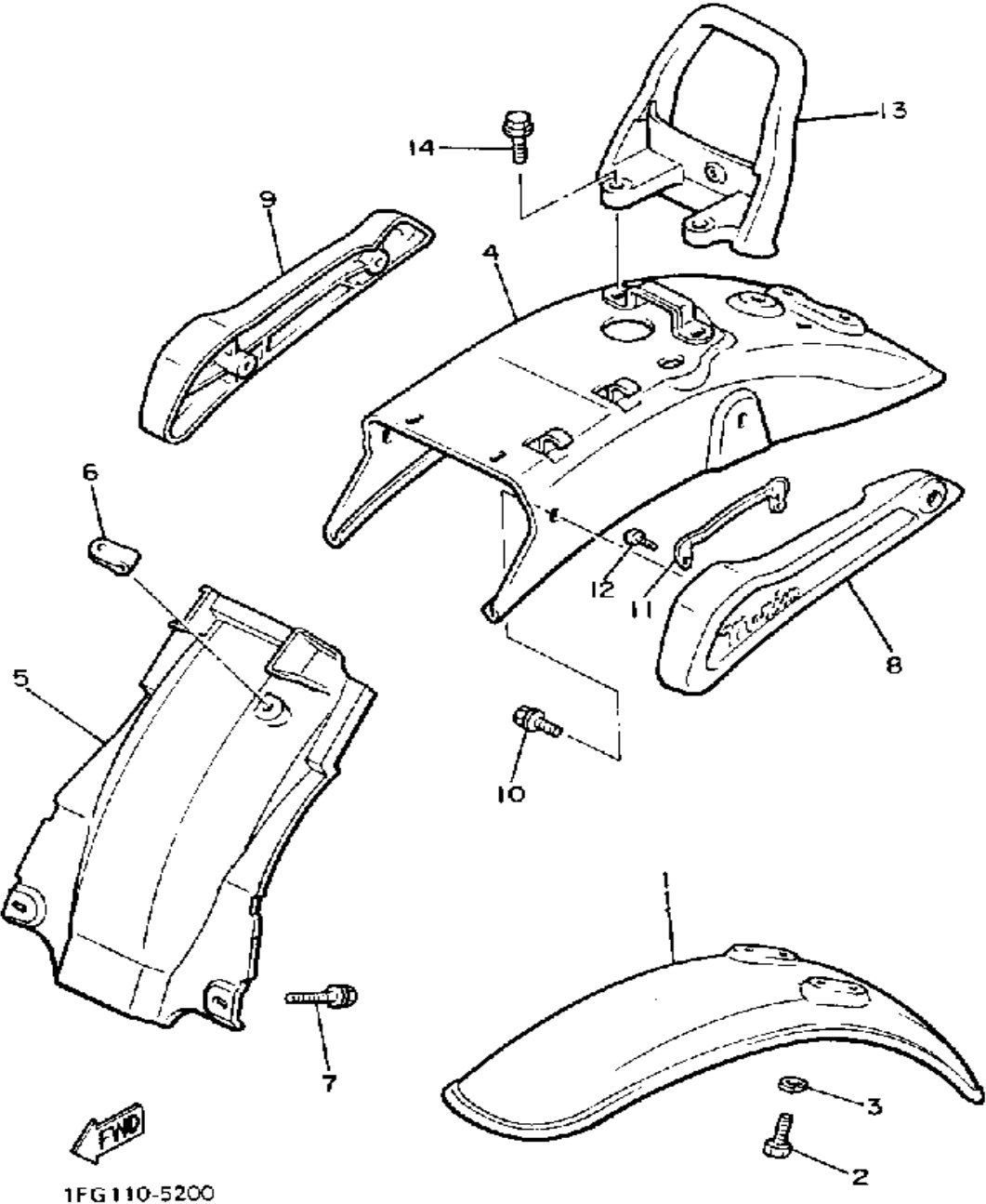
FRAME



1FG110-5190

Ref. No.	Part Number	Description	Qty	Remarks
1	1FG-21110-00-33	FRAME	1	YAMAHA BLK
2	(1FG-21140-00-33)	TUBE, DOWN	1	YAMAHA BLK
3	1AA-21315-00-33	STAY, ENGINE 2	2	YAMAHA BLK
4	95816-08065-00	BOLT, FLANGE	4	
5	90179-08246-00	NUT, SPEC'L SHAPE	4	
6	90105-10178-00	BOLT, WASHER BASED	1	
7	90179-10321-00	NUT	1	
8	90105-10179-00	BOLT, WASHER BASED	2	
9	90179-10321-00	NUT	2	
10	90105-12274-00	BOLT, WASHER BASED	1	
11	90179-12323-00	NUT, SPEC'L SHAPE	1	
12	91316-08030-00	BOLT, SOCKET HEAD	2	
13	92906-08600-00	WASHER	2	
14	95616-08100-00	NUT, U	2	
15	91316-08025-00	BOLT, SOCKET HEAD	2	
16	95816-08065-00	BOLT, FLANGE	2	
17	1FG-2139R-00-00	COVER 2	1	
18	1FG-2139W-00-00	COVER	1	
19	90109-065A6-00	BOLT	4	
20	98903-05010-00	SCREW, BIND	4	
21	1FG-2134Y-00-00	STAY, HORN	1	
22	97016-08020-00	BOLT	2	
23	92906-08100-00	WASHER, SPRING	2	
24	92906-08600-00	WASHER	2	
25	3YJ-24481-00-00	PLUG	2	
26	1AA-2117G-00-00	PROTECTOR	1	
27	95026-06012-00	BOLT, FLANGE	2	

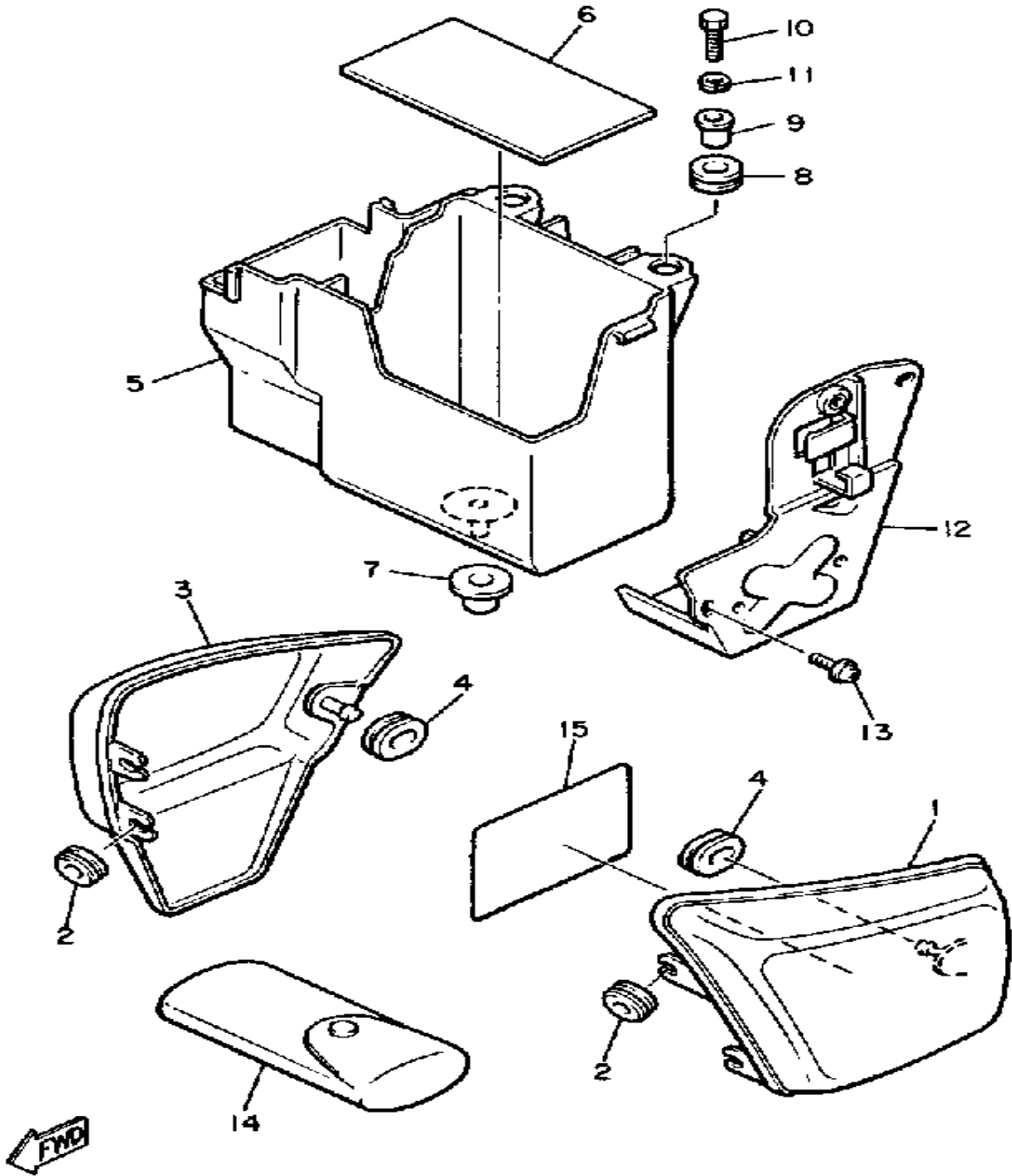
FENDER



Ref. No.	Part Number	Description	Qty	Remarks
1	42X-21510-00-63	FENDER, FRONTCOMP	1	SUPER RED
	42X-21510-00-6G	FENDER, FRONTCOMP	1	YAMAHA BLK
2	97013-06012-00	BOLT	4	
3	92995-06100-00	WASHER, SPRING	4	
4	1AA-21610-00-2U	FENDER, REARCOMP	1	SUPER RED
	1AA-21610-00-6G	FENDER, REAR	1	YAMAHA BLK
5	1AA-21629-00-00	GUARD, MUD	1	
6	90464-16021-00	CLAMP	1	
7	90-11906-09-50	UNAVAILABLE IN PRICE BOOK	2	
8	1FG-21613-00-00	STAY, FENDER 1	1	
9	1AA-21614-00-00	STAY, FENDER 2	1	
10	95821-08020-00	BOLT, FLANGE (95801-08020)	4	
11	(1AA-21637-00-00)	CLAMP, WIRE	2	
12	97701-40506-00	SCREW, TAPPING	4	
13	1AA-2164A-00-00	GRIP 1	1	
14	95811-10030-00	BOLT, FLANGE	2	

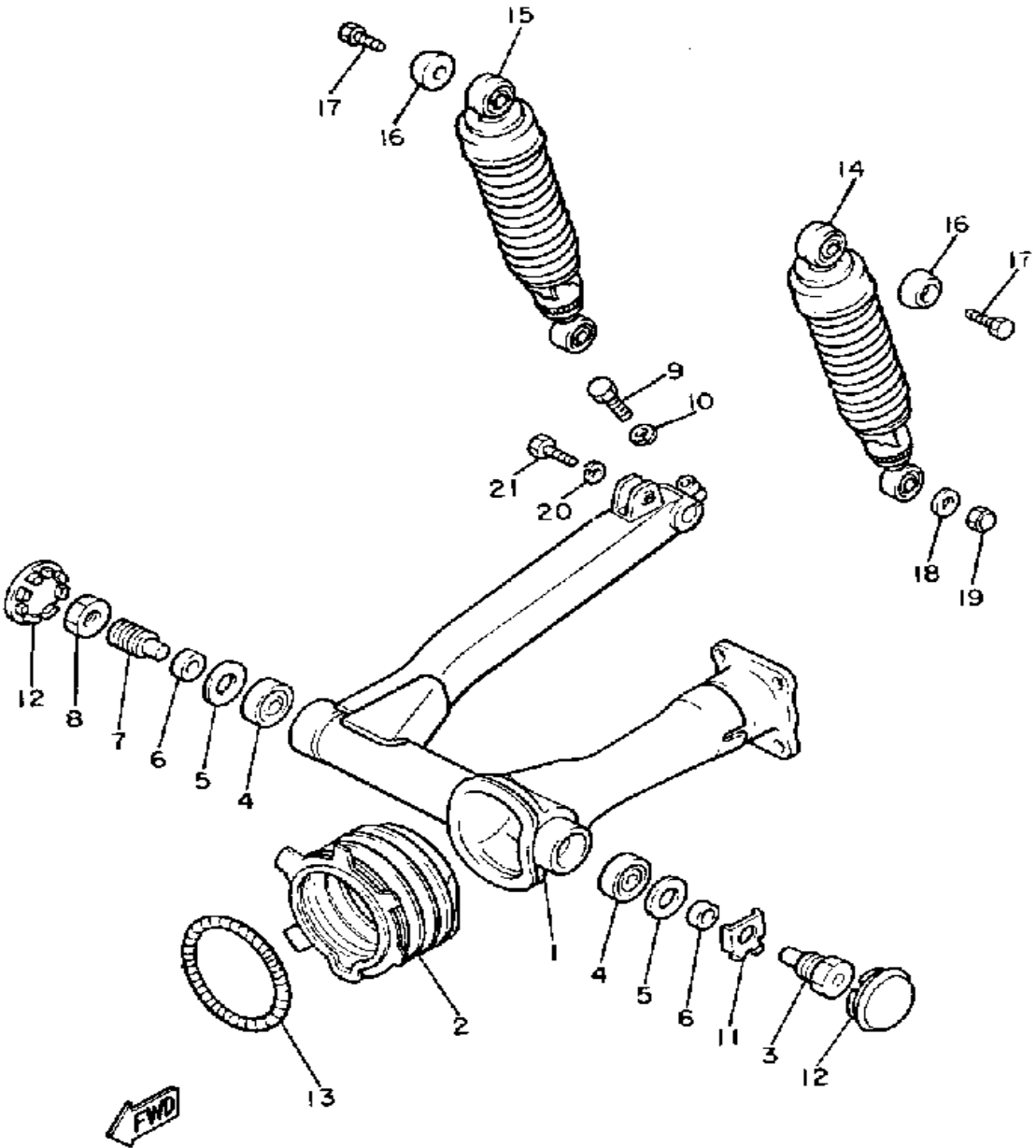
SIDE COVER

Ref. No.	Part Number	Description	Qty	Remarks
1	1AA-21711-00-2U	COVER, SIDE 1	1	U.R. SUPER RED
	1AA-21711-00-6G	COVER, SIDE 1	1	U.R. NEW YAMAHA BLK
2	90480-12053-00	GROMMET	4	
3	1AA-21721-00-63	COVER, SIDE 2	1	U.R. SUPER RED
	1AA-21721-00-6G	COVER, SIDE 2	1	U.R. NEW YAMAHA BLK
4	90480-01401-00	GROMMET	2	
5	(1AA-21171-00-00)	BOX, TOOL	1	
6	5X2-24183-00-00	DAMPER, LOCATING 3	1	
7	90480-14088-00	GROMMET	1	
8	90480-14023-00	GROMMET	2	
9	90387-06388-00	COLLAR	2	
10	97011-06025-00	BOLT (97001-06025)	2	
11	92995-06100-00	WASHER, SPRING	2	
12	1AA-21243-00-00	PLATE, BRIDGE	1	
13	90159-06093-00	SCREW, WITH WASHER	2	
14	1FG-28100-00-00	TOOL KIT (16G-28100-10)	1	
15	(1FG-21683-70-00)	PLATE, SPEC	1	



1FG110-5210

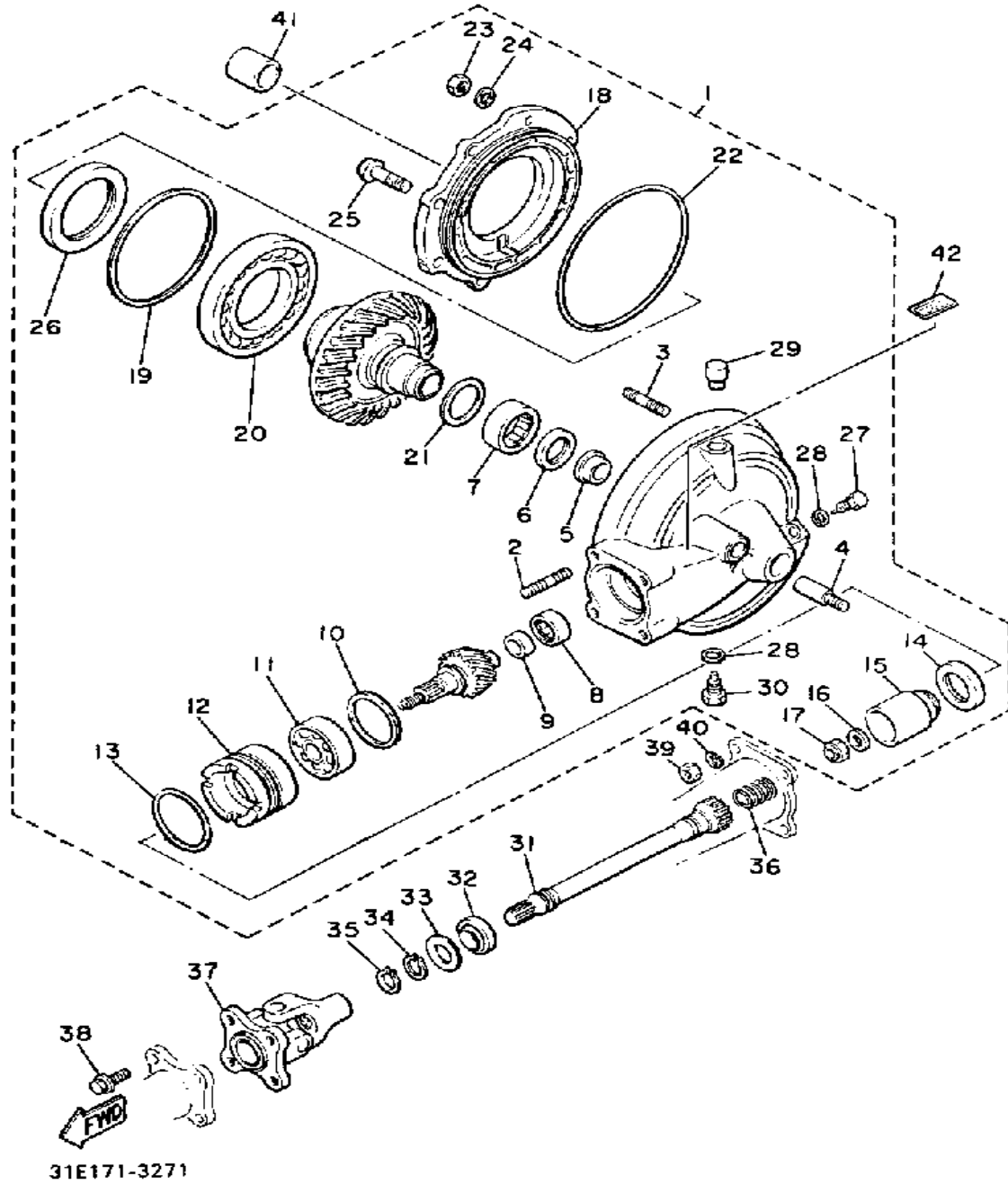
SWING ARM-REAR SHOCKS



1FG110-5220

Ref. No.	Part Number	Description	Qty	Remarks
1	16G-22110-00-98	REAR ARM (4H7-22110-00-98)	1	LW GLSS BLK
2	1AA-22189-00-00	BOOT, RUBBER	1	
3	4H7-22141-00-00	SHAFT, PIVOT	1	
4	93332-00010-00	BEARING	2	
5	93102-25017-00	OIL SEAL	2	
6	90387-17543-00	COLLAR	2	
7	1J7-22141-00-00	SHAFT, PIVOT	1	
8	1J7-22143-00-00	NUT	1	
9	97026-08035-00	BOLT (TJ)	1	
10	92906-08100-00	WASHER, SPRING	1	
11	90215-22238-00	WASHER, LOCK	1	
12	2H7-2219X-00-00	COVER	2	
13	90506-07136-00	SPRING, TENSION	1	
14	1FG-22210-00-00	SHK/ABS ASSEMBLY, REAR	1	
15	(1FG-22210-10-00)	SHK/ABS ASSEMBLY, REAR	1	
16	42X-22243-00-00	WASHER 1	2	
17	95023-08020-00	BOLT	2	
18	90201-100A1-00	WASHER, PLATE	1	
19	90176-10013-00	NUT, CROWN	1	
20	92990-10100-00	WASHER, SPRING	1	
21	90106-10030-00	BOLT, DOME HEAD	1	

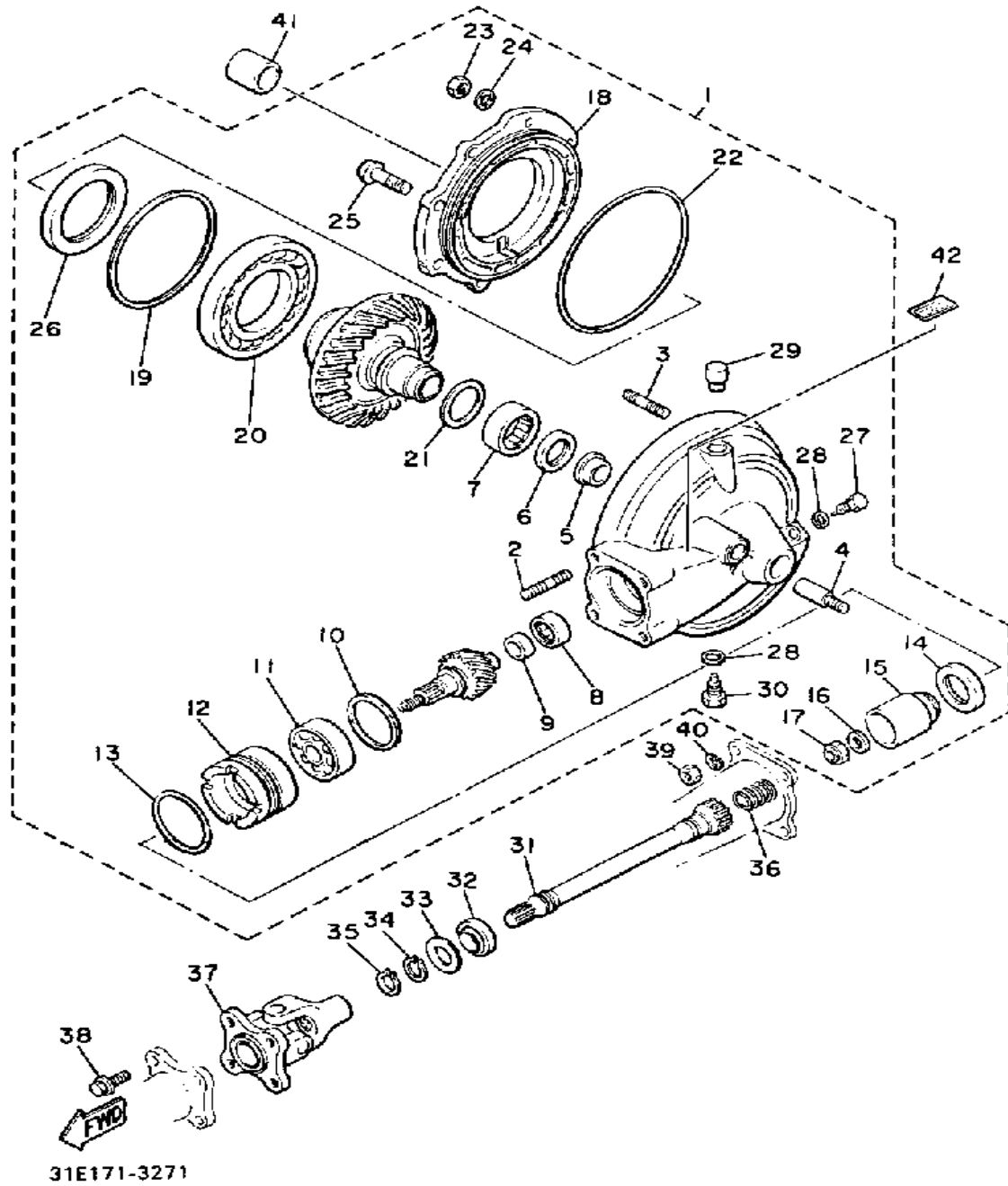
DRIVE SHAFT



Ref. No.	Part Number	Description	Qty	Remarks
1	5G2-46101-01-00	REAR AXLE GEAR CASE ASSEMBLY	1	
2	90116-10361-00	. BOLT, STUD	4	
3	90116-08360-00	. BOLT, STUD	6	
4	90116-10249-00	. BOLT, STUD	1	
5	4H7-46153-00-00	. COLLAR, GUIDE	1	
6	93101-30084-00	. OIL SEAL	1	
7	93311-43729-00	. BEARING	1	
8	93317-41510-00	. BEARING	1	
9	2H7-46122-00-00	. RACE, INNER	1	
10	1J7-17537-Y0-30	. SHIM, THRUST (0.30T)	1	U.R.
	1J7-17537-Y0-40	. SHIM, THRUST (0.40T)	1	U.R.
	1J7-17537-Y0-50	. SHIM, THRUST (0.50T)	1	U.R.
11	93306-30533-00	. BEARING (B6305RB1 SPECIAL)	1	
12	4H7-46125-00-00	. RETAINER, BEARING	1	
13	93210-60426-00	. O-RING	1	
14	93101-38098-00	. OIL SEAL	1	
15	4H7-46123-00-00	. COUPLING, GEAR	1	
16	90201-14632-00	. WASHER, PLATE	1	
17	90185-14070-00	. NUT, SELF-LOCKING	1	
18	4H7-46152-00-00	. HOUSING, BEARING	1	
19	1J7-46117-Y0-25	. SHIM, RING GEAR (0.25T)	1	U.R.
	1J7-46117-Y0-30	. SHIM, RING GEAR (0.30T)	1	U.R.
	1J7-46117-Y0-35	. SHIM, RING GEAR	1	U.R.
	1J7-46117-Y0-40	. SHIM, RING GEAR (0.40T)	1	U.R.
	1J7-46117-Y0-50	. SHIM, RING GEAR (0.50T)	1	U.R.
20	93316-01403-00	. BEARING	1	
21	1J7-46118-Y0-18	. WASHER, THRUST	1	U.R.

CONTINUED ON NEXT FRAME ►

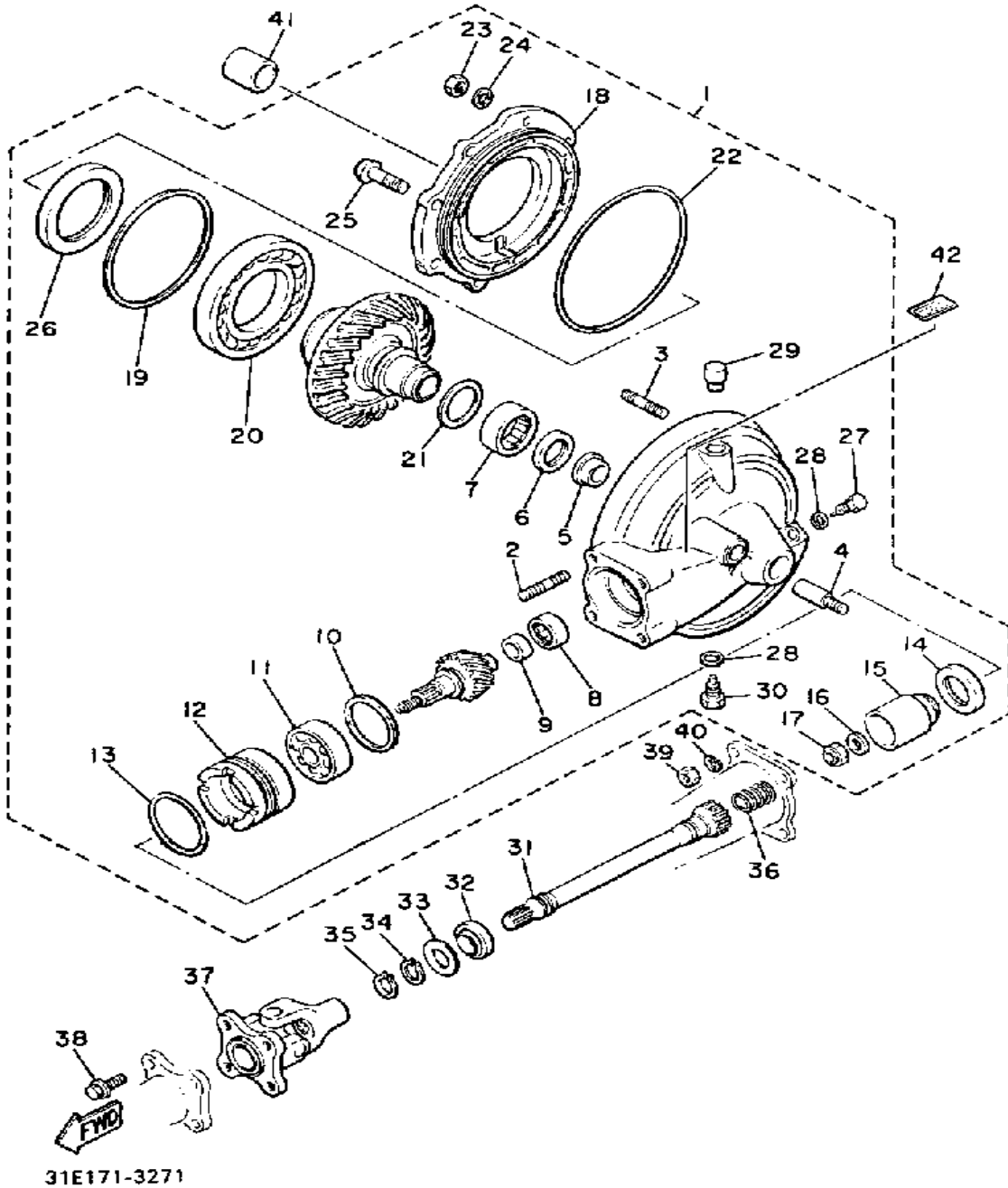
DRIVE SHAFT



Ref. No.	Part Number	Description	Qty	Remarks
21	1J7-46118-Y0-19	. WASHER, THRUST	1	U.R.
	1J7-46118-Y0-20	. WASHER, THRUST	1	U.R.
	1J7-46118-Y0-21	. WASHER, THRUST	1	U.R.
	4H7-46118-00-14	. WASHER, THRUST	1	U.R.
	4H7-46118-00-15	. WASHER, THRUST	1	U.R.
	4H7-46118-00-16	. WASHER, THRUST	1	U.R.
	4H7-46118-00-17	. WASHER, THRUST	1	U.R.
	4H7-46118-00-22	. WASHER, THRUST	1	U.R.
	4H7-46118-00-23	. WASHER, THRUST	1	U.R.
22	93211-44348-00	. O-RING	1	
23	95333-08600-00	. NUT	6	
24	92901-08700-00	. WASHER, WAVE	6	
25	95811-10025-00	. BOLT, FLANGE	2	
26	93102-70167-00	. OIL SEAL	1	
27	3VD-13455-00-00	. PLUG	1	
28	214-11198-01-00	. GASKET	2	
29	2H7-17590-00-00	. BREATHER COMP.	1	
30	90340-14118-00	. PLUG, STRAIGHT	1	
31	31A-46172-01-00	SHAFT, DRIVE	1	
32	93108-23007-00	OIL SEAL	1	
33	90201-231A2-00	WASHER, PLATE	1	
34	93410-23056-00	CIRCLIP	1	
35	93410-22039-00	CIRCLIP	1	
36	90501-16491-00	SPRING, COMPRESSION	1	
37	31A-46180-00-00	CROSS JOINT	1	
38	90105-08155-00	BOLT, WASHER BASED	4	
39	92901-10100-00	WASHER, SPRING	4	
40	90176-10049-00	NUT, CROWN	4	
41	90387-172A5-00	COLLAR	1	

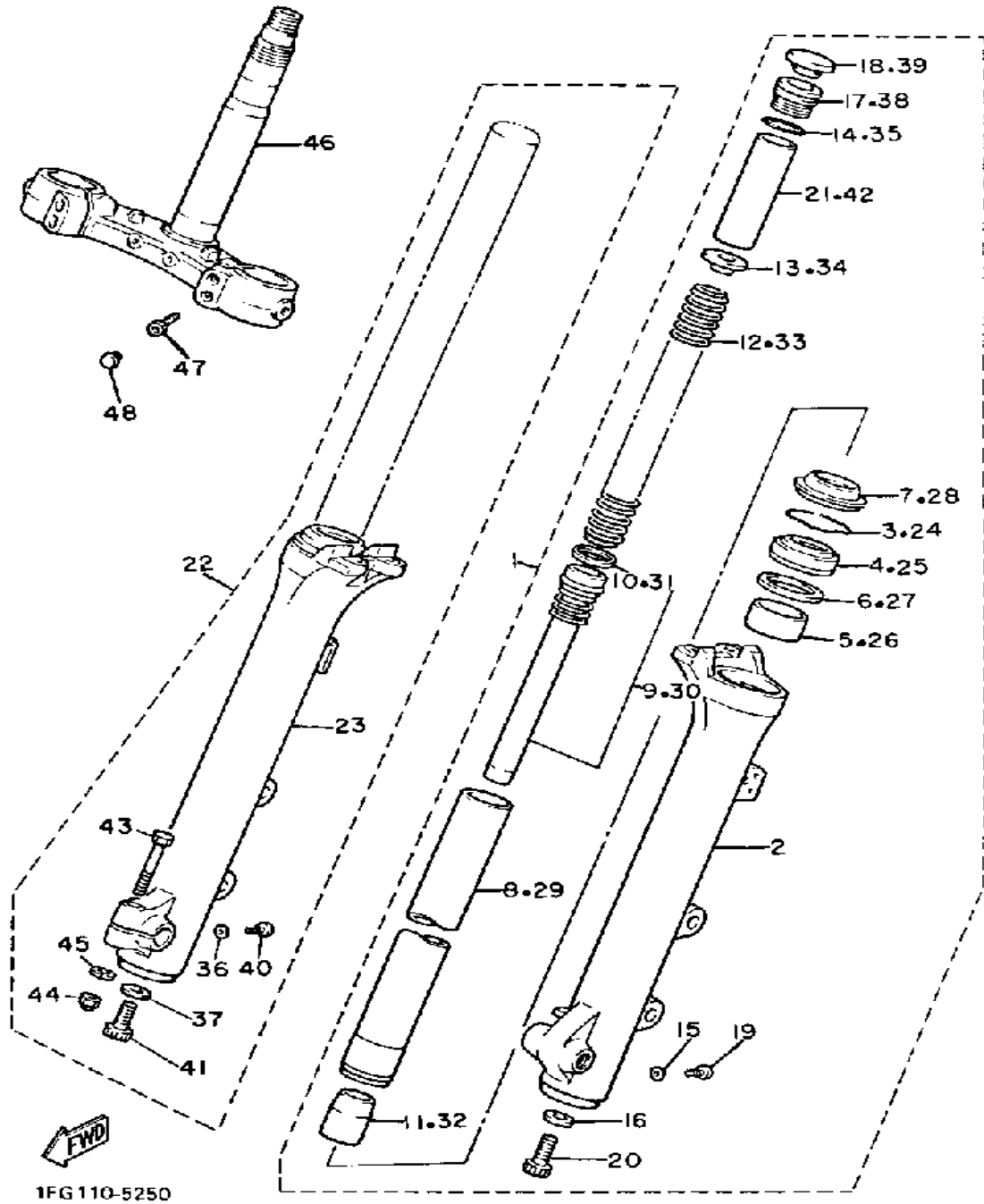
CONTINUED ON NEXT FRAME ►

DRIVE SHAFT



Ref. No.	Part Number	Description	Qty	Remarks
42	4H7-46181-10-00	LABEL, OIL CAUTION	1	

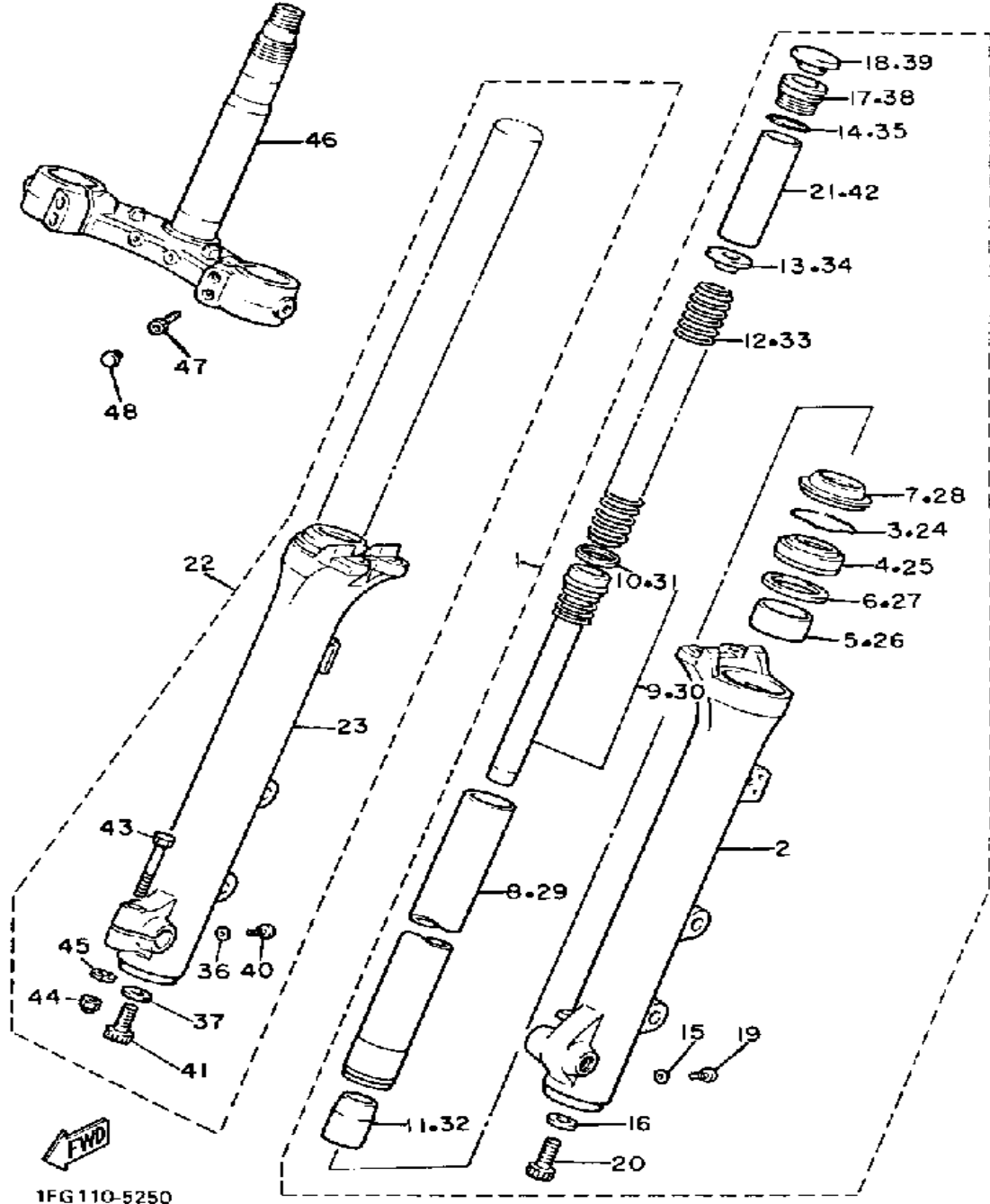
FRONT FORK



Ref. No.	Part Number	Description	Qty	Remarks
1	1FG-23102-00-00	FRONT FORK ASSEMBLY L (L.H.)	1	
2	42H-23126-01-00	. TUBE, OUTER 1	1	
3	3R4-23153-00-00	. RING, SNAP	1	
4	3EN-23145-00-00	. OIL SEAL	1	
5	2YK-23125-00-00	. METAL, SLIDE 1	1	
6	4V2-23146-L0-00	. WASHER, OIL SEAL	1	
7	42X-23144-01-00	. SEAL, DUST	1	
8	1RM-23110-00-00	. INNER TUBE COMP. 1	1	
9	(1AA-23170-00-00)	CYLINDER, FRTRFK	1	
10	31A-23157-00-00	. RING, PISTON FRTRFK	1	
11	1W1-23173-L0-00	. SPINDLE, TAPER	1	
12	(1FG-23141-00-00)	SPRING, FRONT FORK	1	
13	1W1-23142-L0-00	. SEAT, SPRING UPPER	1	
14	1W1-23114-L0-00	. GASKET	1	
15	122-23129-00-00	. GASKET, DRAIN PLUG	1	
16	509-23158-L0-00	. GASKET	1	
17	31A-23111-31-00	. BOLT, CAP	1	
18	42H-23168-00-00	. CAP, FRONT FORK	1	
19	4H7-23119-00-00	. PLUG, DRAIN - (122-23119-01)	1	
20	278-23181-50-00	. BOLT, HEXAGON SOCKET HEAD	1	
21	42H-23118-00-00	. SPACER	1	
22	1FG-23103-00-00	FRONT FORK ASSEMBLY R (R.H.)	1	
23	42H-23136-01-00	. TUBE, OUTER 2	1	
24	3R4-23153-00-00	. RING, SNAP	1	
25	3EN-23145-00-00	. OIL SEAL	1	
26	2YK-23125-00-00	. METAL, SLIDE 1	1	
27	4V2-23146-L0-00	. WASHER, OIL SEAL	1	

CONTINUED ON NEXT FRAME ►

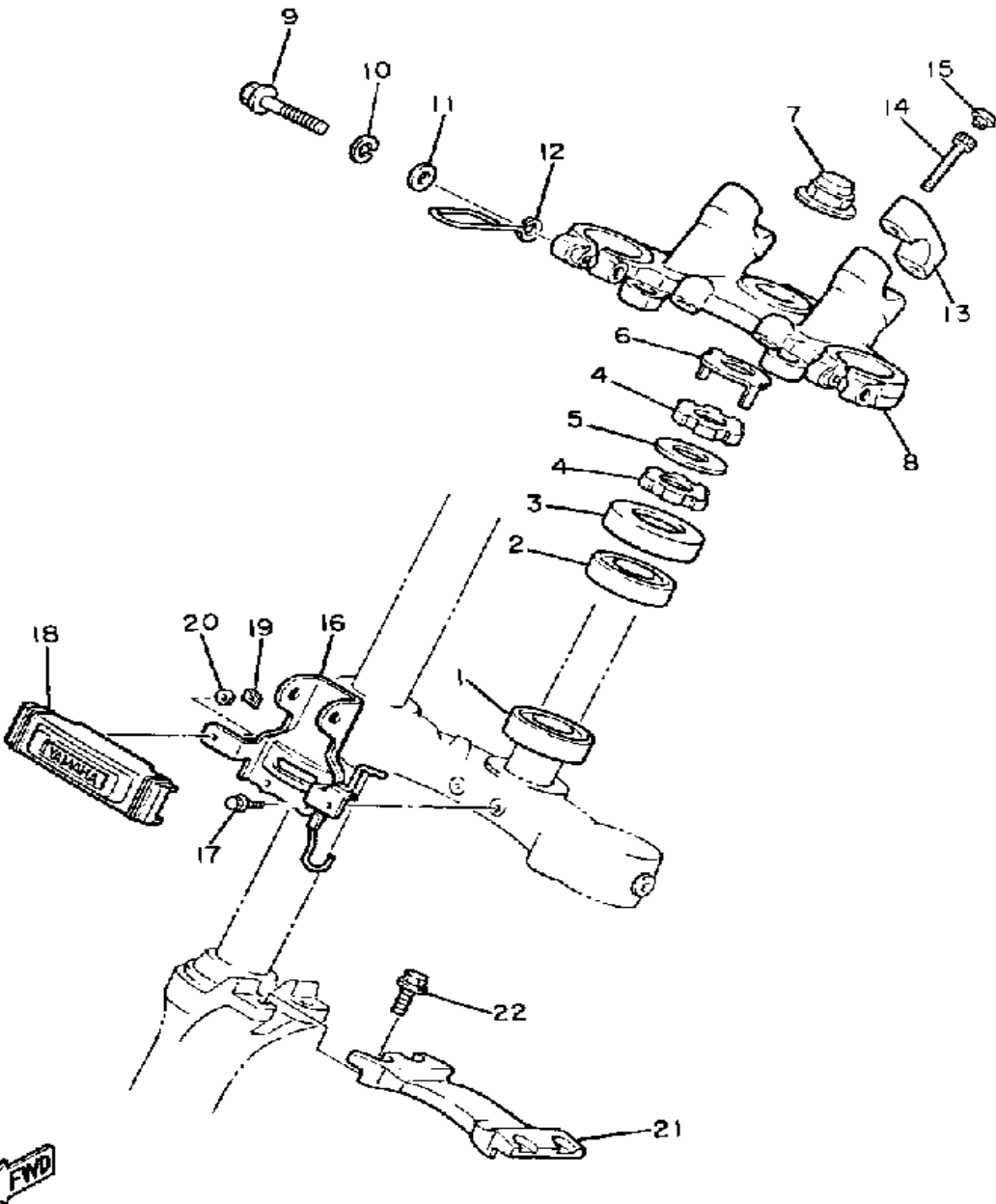
FRONT FORK



Ref. No.	Part Number	Description	Qty	Remarks
28	42X-23144-01-00	. SEAL, DUST	1	
29	1RM-23110-00-00	. INNER TUBE COMP. 1	1	
30	(1AA-23170-00-00)	CYLINDER, FRTFRK	1	
31	31A-23157-00-00	. . RING, PISTON FRTFRK	1	
32	1W1-23173-L0-00	. SPINDLE, TAPER	1	
33	(1FG-23141-00-00)	SPRING, FRONT FORK	1	
34	1W1-23142-L0-00	. SEAT, SPRING UPPER	1	
35	1W1-23114-L0-00	. GASKET	1	
36	122-23129-00-00	. GASKET, DRAIN PLUG	1	
37	509-23158-L0-00	. GASKET	1	
38	31A-23111-31-00	. BOLT, CAP	1	
39	42H-23168-00-00	. CAP, FRONT FORK	1	
40	4H7-23119-00-00	. PLUG, DRAIN - (122-23119-01)	1	
41	278-23181-50-00	. BOLT, HEXAGON SOCKET HEAD	1	
42	42H-23118-00-00	. SPACER	1	
43	90101-08340-00	. BOLT	1	
44	95333-08600-00	. NUT	1	
45	92990-08100-00	. WASHER	1	
46	1AA-23340-00-00	UNDER BRACKET	1	
47	91311-08030-00	BOLT	4	
48	90338-08163-00	PLUG	4	

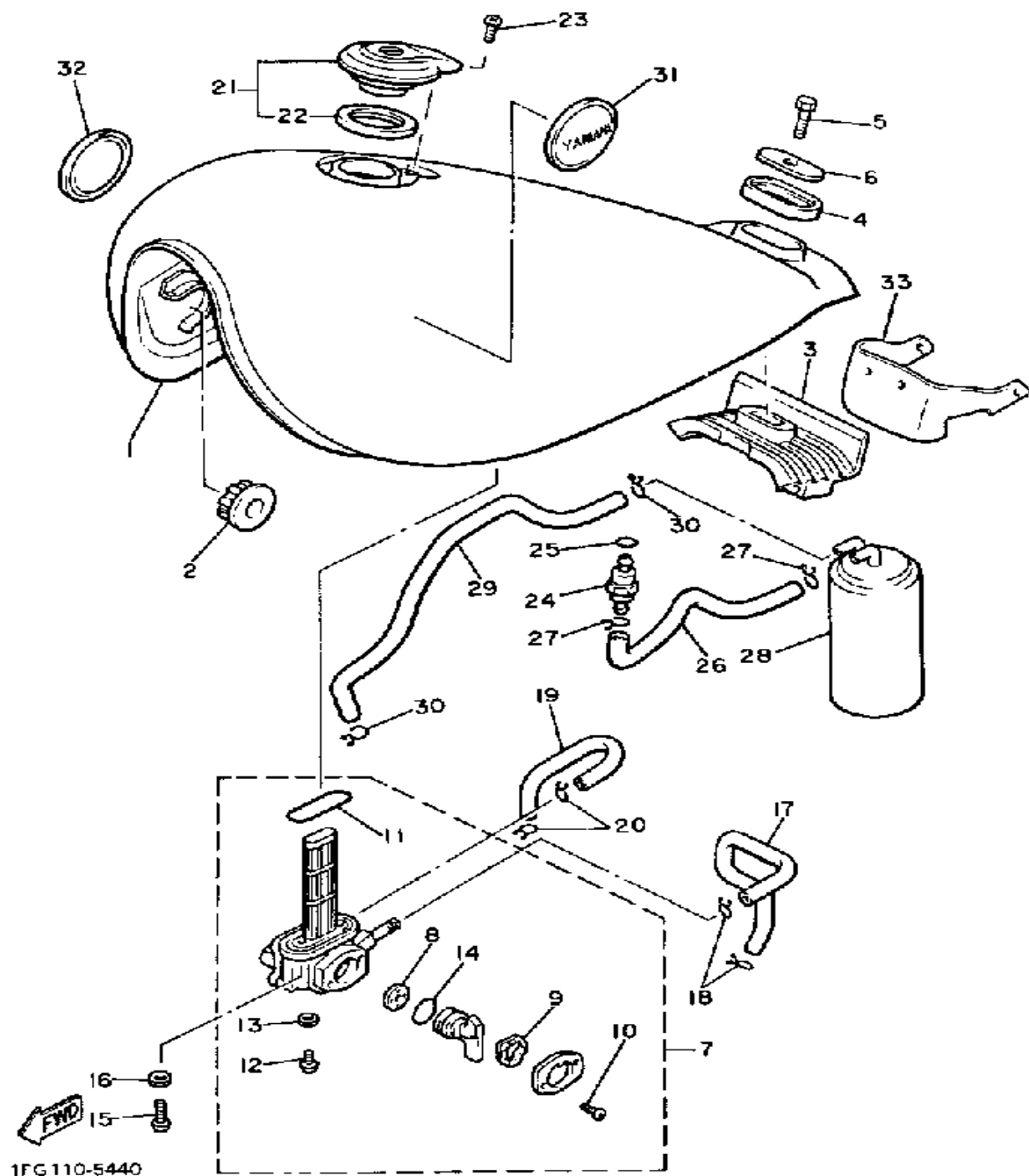
STEERING

Ref. No.	Part Number	Description	Qty	Remarks
1	93332-00008-00	BEARING	1	
2	93332-00001-00	BEARING	1	
3	1J7-23415-00-00	COVER, BALL RACE 1	1	
4	90179-25033-00	NUT	2	
5	90202-26142-00	WASHER, PLATE	1	
6	26H-23418-01-00	WASHER, SPECIAL	1	
7	90176-22050-00	NUT, CROWN	1	
8	1AA-23435-00-38	CROWN, HANDLE	1	CLEAR BUFF.
9	95023-08045-00	BOLT	2	
10	92990-08100-00	WASHER	2	
11	92901-08600-00	WASHER	2	
12	42X-23317-01-00	HOLDER, CABLE	2	
13	4H7-23441-00-38	HOLDER, HANDLE UPPER ...	2	CLEAR BUFF.
14	91311-08030-00	BOLT	4	
15	90338-08163-00	PLUG	4	
16	1FG-23174-00-00	STAY, HEADLIGHT	1	
17	95023-06020-00	BOLT, FLANGE	2	
18	1AA-23122-00-00	COVER, OUTER 1 (90467-10041)	1	
19	90183-04005-00	NUT, SPRING	2	
20	90202-04003-00	WASHER, PLATE	2	
21	42X-2313A-00-00	BRACE, FORK	1	
22	95023-08020-00	BOLT	4	



1FG110-5240

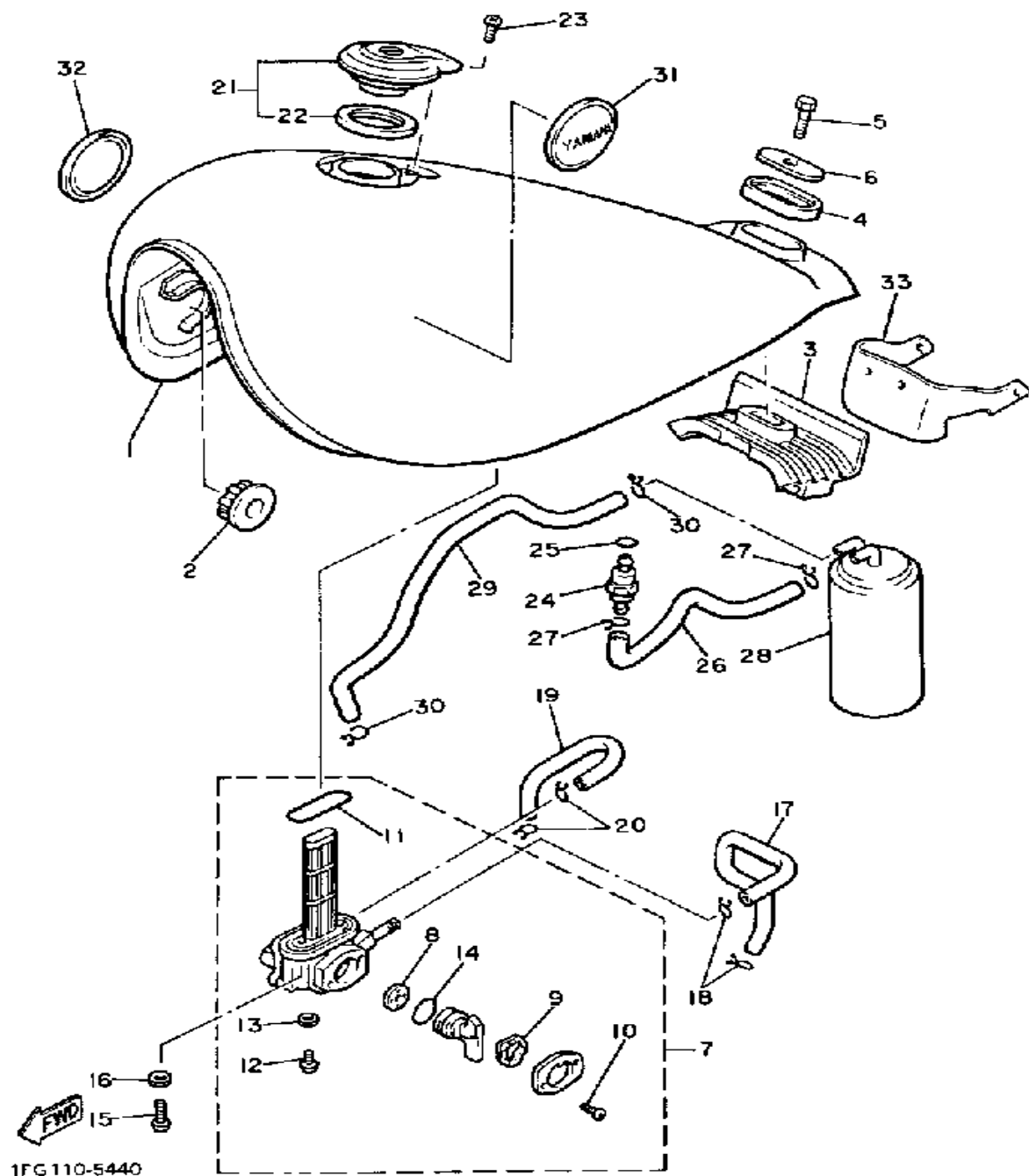
FUEL TANK



Ref. No.	Part Number	Description	Qty	Remarks
1	1AA-24110-00-2U	FUEL TANKSUPER RED	1	U.R.
	1AA-24110-00-6G	FUEL TANKYAMAHA BLK	1	U.R. NEW
2	26H-24181-00-00	DAMPER, locating 1	2	
3	1AA-24182-00-00	DAMPER, LOCATING 2	1	
4	3Y6-24183-00-00	DAMPER, LOCATING 3	1	
5	97313-08030-00	BOLT, HEXAGON	1	
6	12R-24186-00-00	WASHER, SPECIAL	1	
7	31A-24500-01-00	FUEL COCK ASSEMBLY 1	1	
8	16G-24523-00-00	. VALVE	1	
9	16G-24518-00-00	. WASHER, WAVE	1	
10	98580-03008-00	. SCREW, PAN HEAD	2	
11	2G2-24512-00-00	. GASKET	1	
12	98580-06008-00	. SCREW, PAN HEAD	1	
13	2G2-24522-00-00	. GASKET	1	
14	2G2-24534-00-00	. SEAL, COCK	1	
15	90149-06008-00	SCREW	2	
16	90202-05187-00	WASHER, PLATE	2	
17	1FG-24311-00-00	PIPE, FUEL 1	1	
18	90467-10008-00	CLIP	2	
19	90445-09531-00	HOSE	1	
20	90467-08021-00	CLIP	2	
21	4X7-24602-02-00	CAP ASSEMBLY	1	
22	4X7-24612-00-00	. GASKET, CAP	1	
23	98506-05010-00	SCREW, PAN HEAD	1	
24	1AA-24161-00-00	EMBLEM 1	1	
25	1AA-24162-00-00	EMBLEM 2	1	
26	1AA-2176E-00-00	PLATE	1	

1FG110-5440

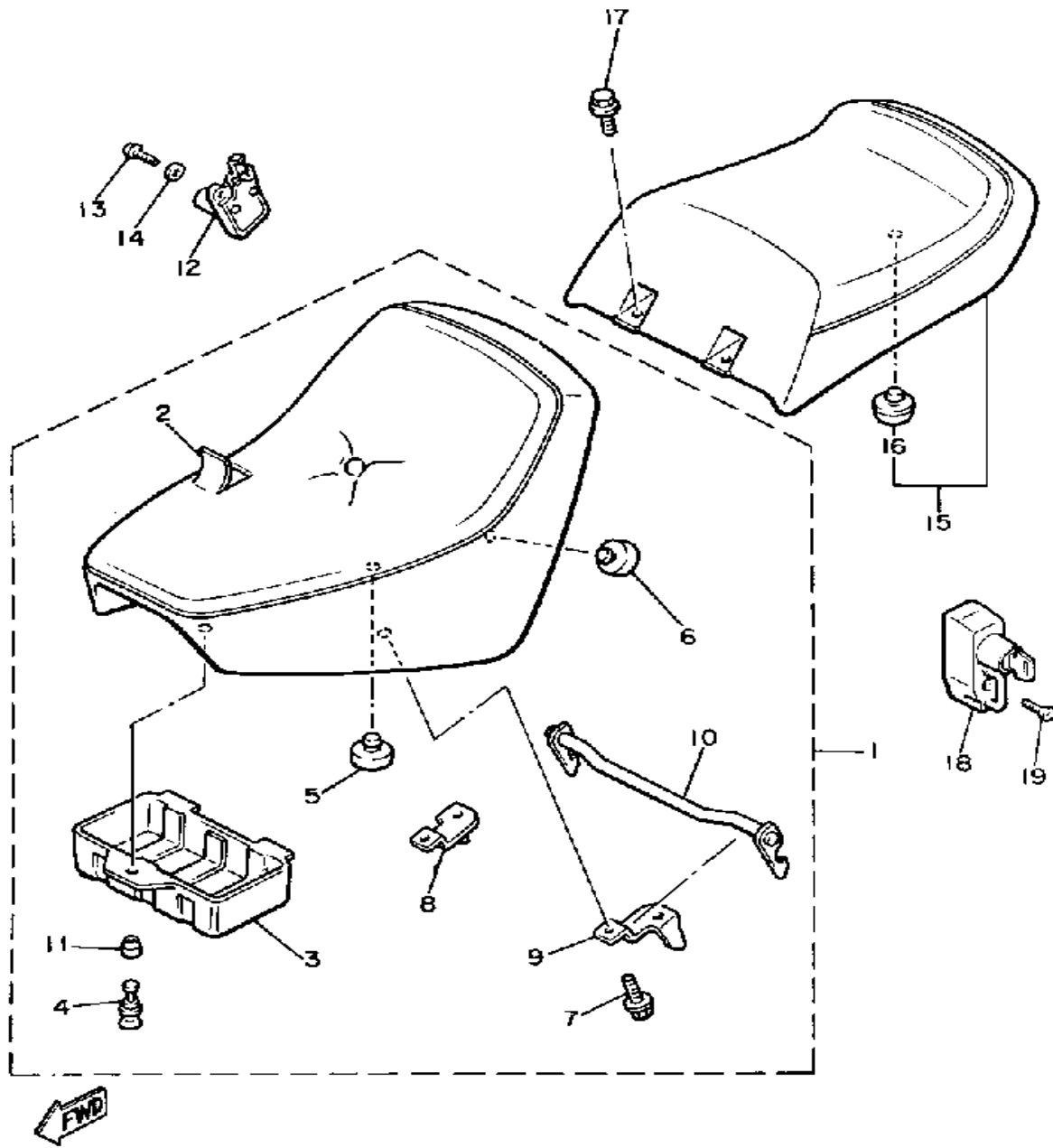
FUEL TANK



Ref. No.	Part Number	Description	Qty	Remarks
1	1FJ-24110-00-2U	FUEL TANKSUPER RED	1	U.R.
	1FJ-24110-00-6G	FUEL TANKYAMAHA BLK	1	U.R. NEW
2	26H-25181-00-00	AXLE, WHEEL	2	
3	1AA-24182-00-00	DAMPER, LOCATING 2	1	
4	3Y6-24183-00-00	DAMPER, LOCATING 3	1	
5	97313-08030-00	BOLT, HEXAGON	1	
6	12R-24186-00-00	WASHER, SPECIAL	1	
7	31A-24500-01-00	FUEL COCK ASSEMBLY 1	1	
8	16G-24523-00-00	. VALVE	1	
9	16G-24518-00-00	. WASHER, WAVE	1	
10	98580-03008-00	. SCREW, PAN HEAD	2	
11	2G2-24512-00-00	. GASKET	1	
12	98580-06008-00	. SCREW, PAN HEAD	1	
13	2G2-24522-00-00	. GASKET	1	
14	2G2-24534-00-00	. SEAL, COCK	1	
15	90149-06008-00	SCREW	2	
16	90202-05187-00	WASHER, PLATE	2	
17	1FG-24311-00-00	PIPE, FUEL 1	1	
18	90467-10008-00	CLIP	2	
19	90445-09531-00	HOSE	1	
20	90467-08021-00	CLIP	2	
21	20K-24602-02-00	CAP ASSEMBLY	1	
22	4X7-24612-00-00	. GASKET, CAP	1	
23	98506-05010-00	SCREW, PAN HEAD	1	
24	20K-24180-00-00	ROLL OVER VALVE ASSEMBLY	1	
25	93210-10166-00	O-RING	1	
26	(1FJ-24376-00-00)	PIPE, JOINT 1	1	
27	90467-09006-00	CLIP	2	

CONTINUED ON NEXT FRAME ►

SEAT

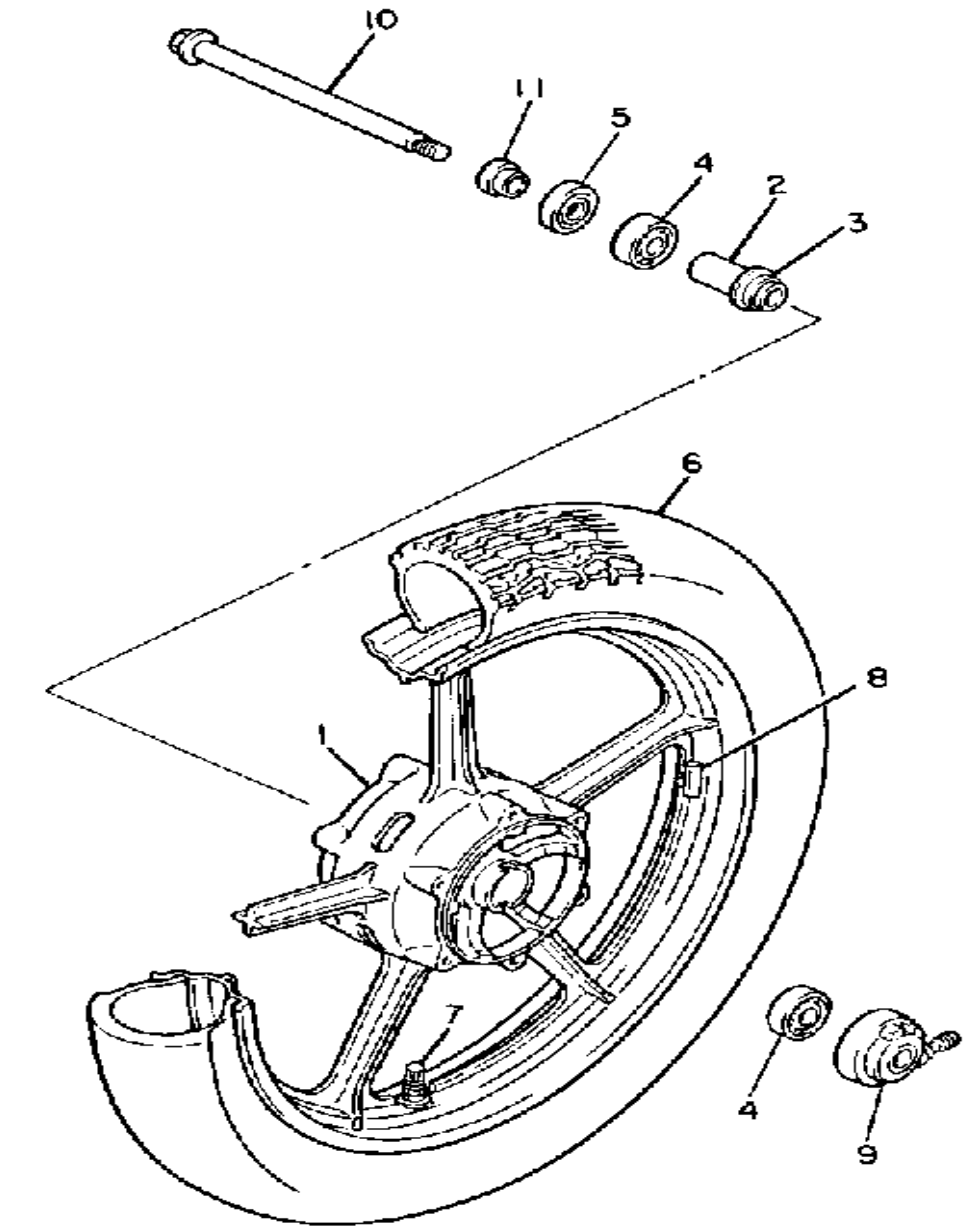


1FG110-5270

Ref. No.	Part Number	Description	Qty	Remarks
1	1AA-24710-11-00	SINGLE SEAT ASSEMBLY (1AA-24710-10)	1	
2	1AA-24711-00-00	. COVER, SINGLE SEAT	1	
3	1AA-2473R-00-00	. BOX 1	1	
4	4X7-2473V-02-00	. PLUNGER	1	
5	371-27114-00-00	. STOPPER, MAIN STAND	1	
6	22W-24741-00-00	. PAD, SEAT	2	
7	95811-06016-00	. BOLT, FLANGE (95822-06016)	4	
8	(1AA-24738-00-00)	BRACKET, SEAT	1	
9	(1AA-24728-00-00)	BRACKET, SEAT	1	
10	1AA-24776-00-00	. LEVER, SEAT	1	
11	4X7-24742-02-00	. GROMMET	1	
12	23W-24705-00-00	SEAT LOCK ASSEMBLY (10L-24705-00)	1	
13	98506-06016-00	SCREW, PANHEAD	2	
14	92906-06600-00	WASHER	2	
15	1NH-24750-00-00	TANDEM SEAT ASSEMBLY	1	BLACK
16	1L9-24741-00-00	. PAD, SEAT	1	
17	90119-06088-00	BOLT, WITH WASHER	2	
18	26H-21308-00-00	HELMET HANGER ASSEMBLY (4R8-21308-00)	1	
19	90149-06154-00	SCREW	1	

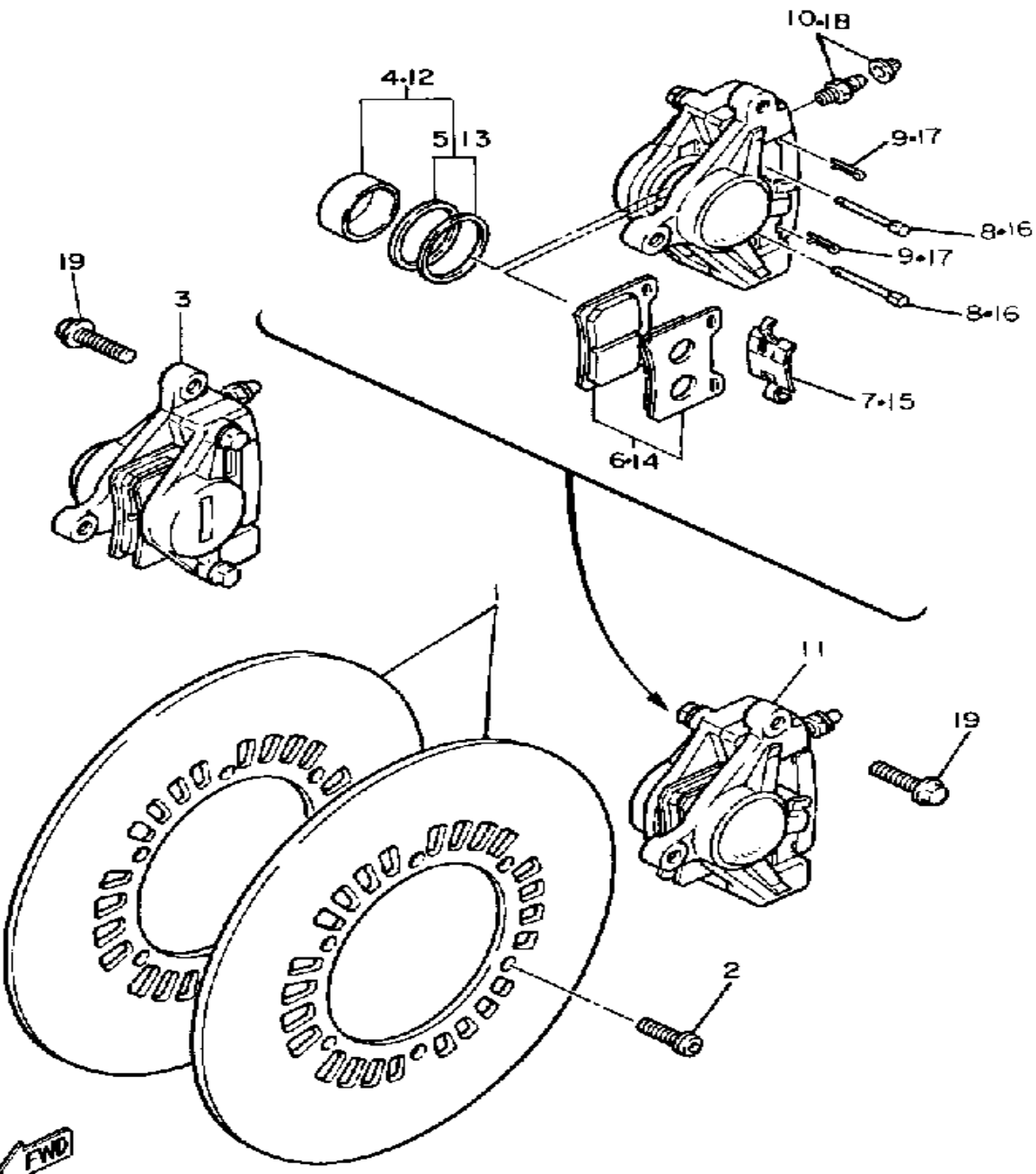
FRONT WHEEL

Ref. No.	Part Number	Description	Qty	Remarks
1	42H-25168-00-98	WHEEL, CAST FRONT	1	LW GLSS BLK
2	90560-15116-00	SPACER	1	
3	146-25115-00-00	FLANGE, SPACER 1	1	
4	93306-30202-00	BEARING	2	
5	93102-22014-00	OIL SEAL	1	
6	94110-194H3-00	TIRE (100/90-19 57H)	1	BRIDGESTONE
7	93900-00001-00	VALVE, RIM	1	BRIDGESTONE
8	29L-25398-00-00	BALANCER, WHEEL (10G)	1	UN
	29L-25398-10-00	BALANCER, WHEEL (20G)	1	UN
	29L-25398-20-00	BALANCER, WHEEL (30G)	1	UN
9	42X-25190-00-00	GEAR UNIT ASSEMBLY	1	
10	42X-25181-00-00	AXLE, WHEEL	1	
11	90387-15550-00	COLLAR	1	



1FG110-5280

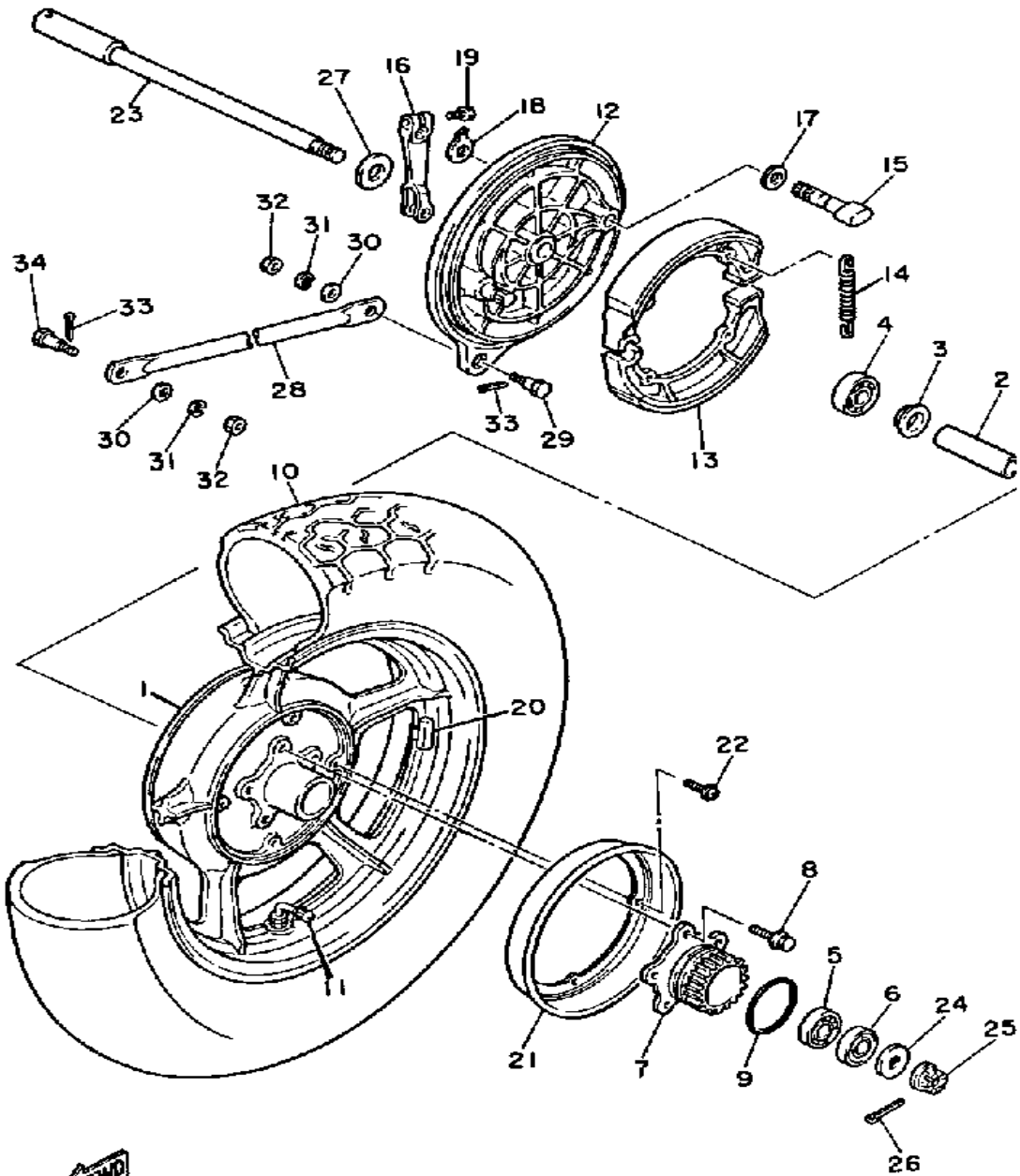
FRONT BRAKE-CALIPER



Ref. No.	Part Number	Description	Qty	Remarks
1	11U-25831-00-00	DISC, BRAKE	2	
2	90109-08718-00	BOLT	12	
3	42H-25810-01-00	CALIPER ASSEMBLY (RIGHT)	1	
4	26H-W0057-00-00	. PISTON ASSEMBLY, CALIPER	1	
5	26H-W0047-00-00	. . CALIPER SEAL KIT	1	
6	26H-W0045-11-00	. BRAKE PAD KIT	1	
7	1WG-25919-00-00	. SUPPORT, PAD	1	
8	3HE-25924-00-00	. PIN, PAD	2	
9	3HE-25925-00-00	. CLIP	2	
10	1J3-W0048-00-00	. BLEED SCREW KIT	1	
11	42H-25810-11-00	CALIPER ASSEMBLY (LEFT)	1	
12	26H-W0057-00-00	. PISTON ASSEMBLY, CALIPER	1	
13	26H-W0047-00-00	. . CALIPER SEAL KIT	1	
14	26H-W0045-11-00	. BRAKE PAD KIT	1	
15	1WG-25919-00-00	. SUPPORT, PAD	1	
16	3HE-25924-00-00	. PIN, PAD	2	
17	3HE-25925-00-00	. CLIP	2	
18	1J3-W0048-00-00	. BLEED SCREW KIT	1	
19	90105-10638-00	BOLT, WASHER BASED	4	

42W110-4290

REAR WHEEL

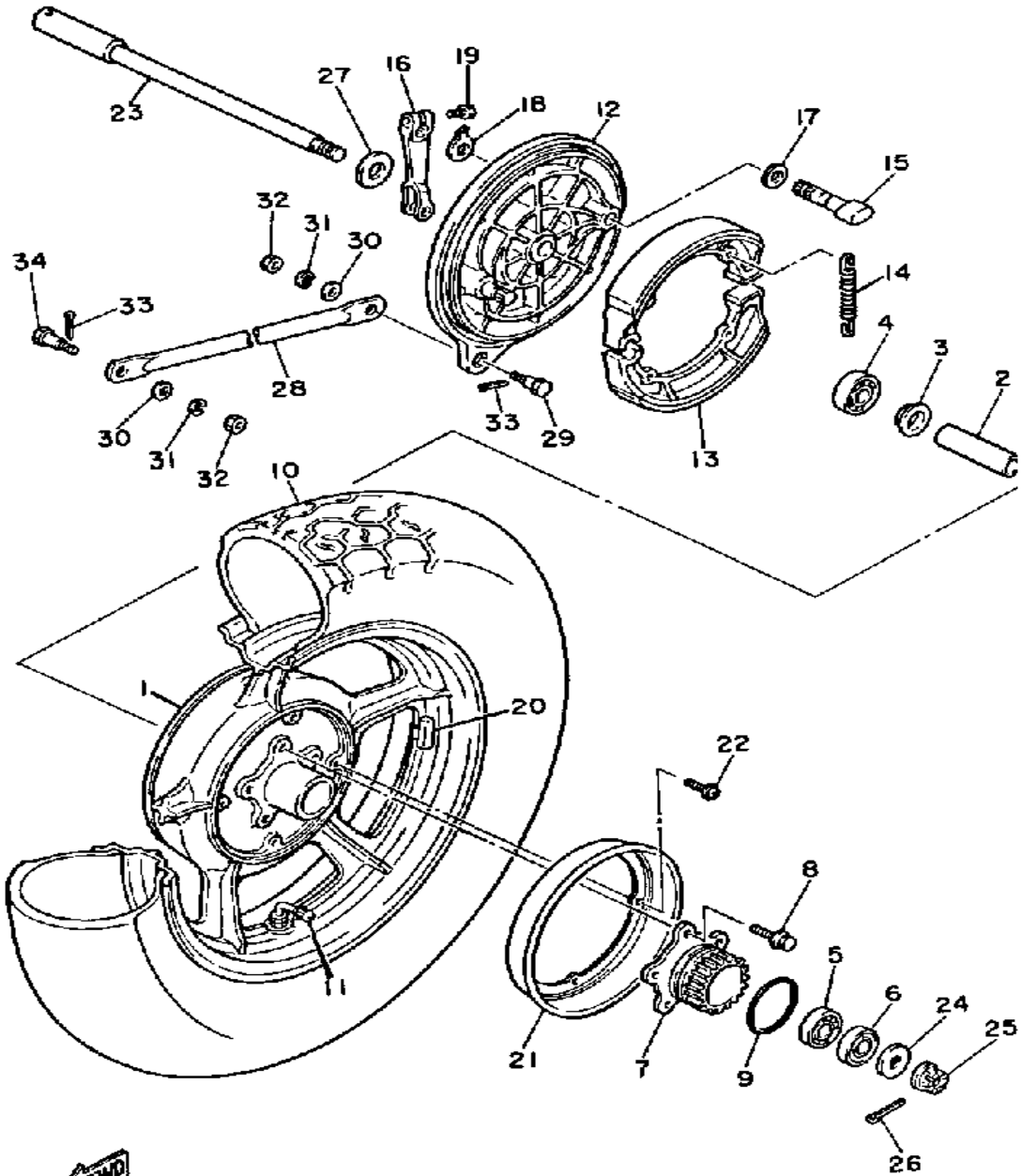


1FG110-5300

Ref. No.	Part Number	Description	Qty	Remarks
1	1FG-25338-20-98	WHEEL, CAST REAR	1	LW GLSS BLK
2	90560-17125-00	SPACER	1	
3	146-25315-00-00	FLANGE, SPACER	1	
4	93306-30309-00	BEARING	1	
5	93306-20310-00	BEARING	1	
6	93306-20310-00	BEARING	1	
7	4H7-25366-01-00	CLUTCH, HUB	1	
8	90105-10200-00	BOLT, WASHER BASED	5	
9	93210-57428-00	O-RING	1	
10	94113-161J2-00	130/90-16 G528 BS	1	BRIDGESTONE
11	93900-00016-00	VALVE, RIM	1	BRIDGESTONE
12	4K0-25321-01-00	PLATE BRAKE SHOE	1	CLEAR BUFF
13	5A8-W2536-00-00	BRAKESHOE SET-2PCS	1	
14	90507-20002-00	SPRING, TENSION	2	
15	4H7-25351-00-00	CAMSHAFT	1	
16	4V8-25355-00-00	LEVER, CAMSHAFT	1	
17	90201-14218-00	WASHER, PLATE	1	
18	4H7-2533A-02-00	PLATE, INDICATOR	1	
19	90101-06291-00	BOLT	1	
20	29L-25398-00-00	BALANCER, WHEEL (10G)	1	UN
	29L-25398-10-00	BALANCER, WHEEL (20G)	1	UN
	29L-25398-20-00	BALANCER, WHEEL (30G)	1	UN
21	4H7-25327-00-00	COVER, PLATE	1	
22	90159-05018-00	SCREW, WITH WASHER	4	
23	4H7-25381-00-00	AXLE, WHEEL	1	
24	90201-144J5-00	WASHER, PLATE	1	
25	90171-14031-00	NUT, CASTLE	1	
26	91401-30030-00	PIN, COTTER	1	
27	56W-25377-00-00	COLLAR, WHEEL	1	

CONTINUED ON NEXT FRAME ➤

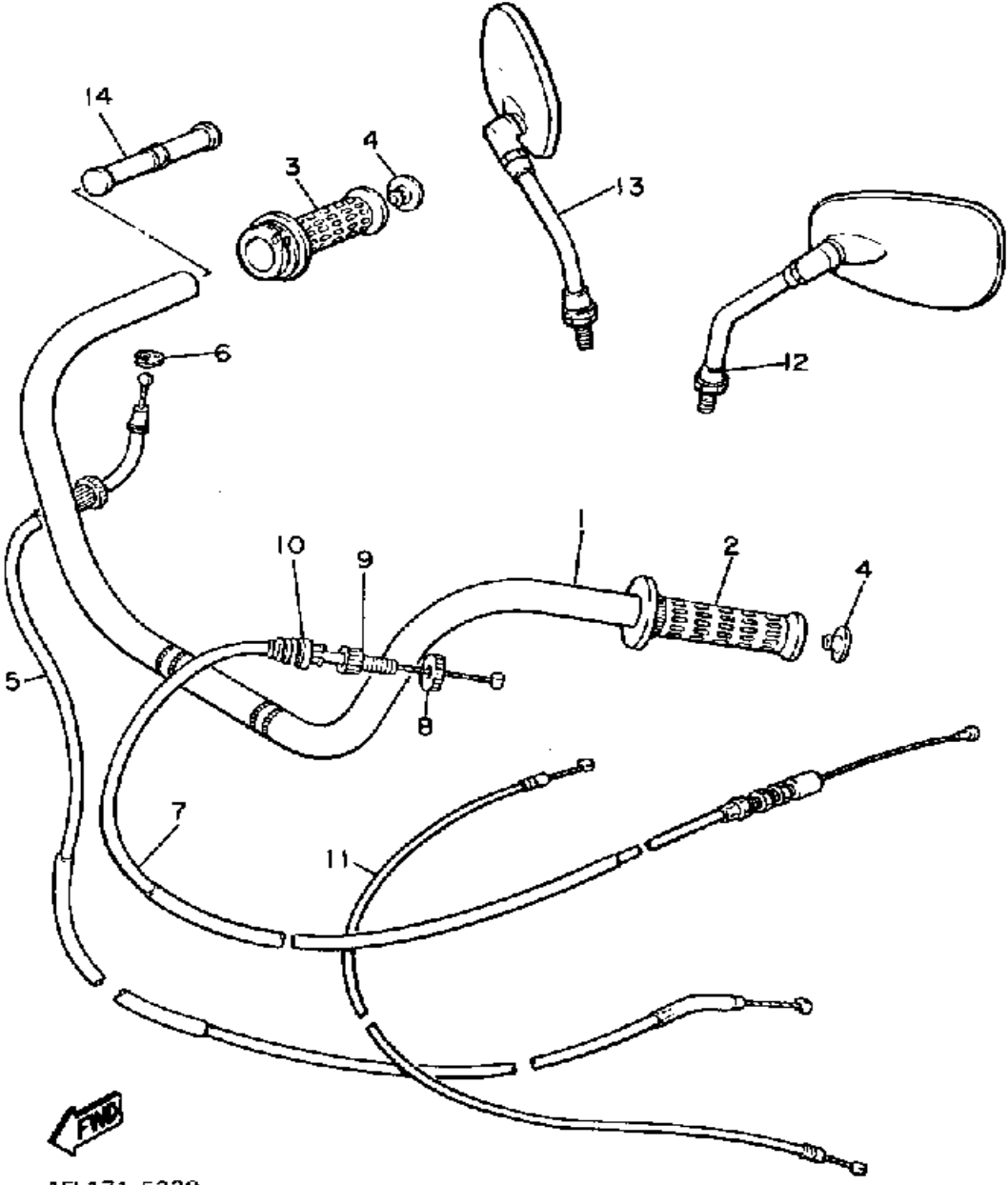
REAR WHEEL



Ref. No.	Part Number	Description	Qty	Remarks
28	3H0-25371-00-00	BAR, TENSION	1	
29	90109-08406-00	BOLT	1	
30	92901-08600-00	WASHER	2	
31	92990-08100-00	WASHER	2	
32	95303-08700-00	NUT	2	
33	91490-20020-00	PIN, COTTER	2	
34	90109-08368-00	BOLT	1	

FWD
1FG110-5300

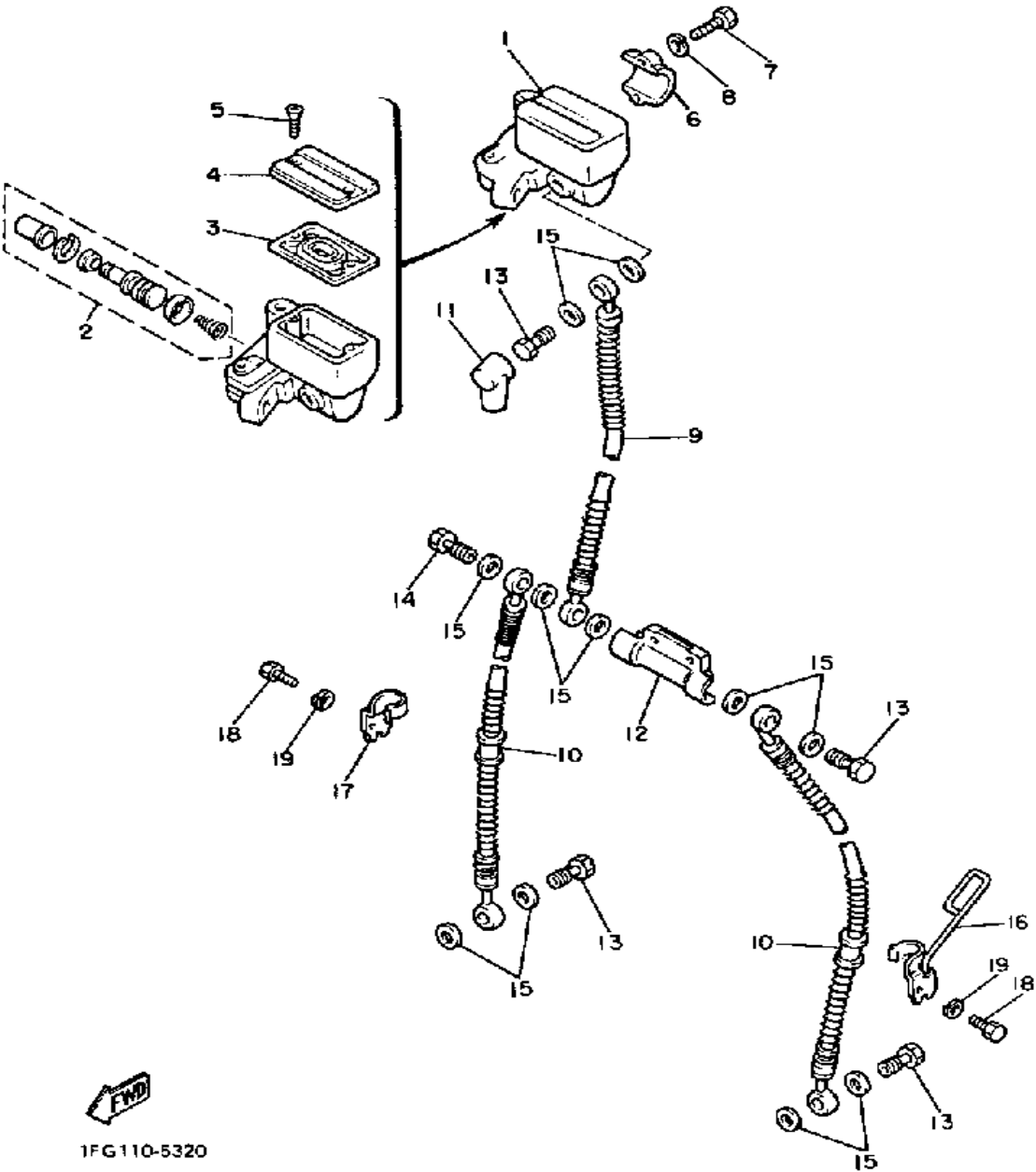
HANDLEBAR-CABLE



1FL171-5330

Ref. No.	Part Number	Description	Qty	Remarks
1	1AA-26111-00-00	HANDLEBAR	1	
2	42X-26241-00-00	GRIP LH	1	
3	42X-26240-00-00	GRIP ASSEMBLY	1	
4	26H-2628J-00-00	CAP, grip	2	
5	1FG-26311-00-00	CABLE, THROTTLE 1	1	
6	5H0-26393-00-00	HOLDER	1	
7	1AA-26335-00-00	CABLE, CLUTCH	1	
8	90179-08148-00	NUT	1	
9	90123-08046-00	BOLT	1	
10	1E6-26342-00-00	BOOT, CABLE	1	
11	1FG-26331-00-00	CABLE, STARTER 1	1	
12	1AA-26280-02-00	REAR VIEW MIRROR ASSEMBLY (LEFT)	1	
13	1AA-26290-02-00	REAR VIEW MIRROR ASSEMBLY (RIGHT)	1	
14	3F9-W2612-00-00	WEIGHT	2	

FRONT MASTER CYLINDER

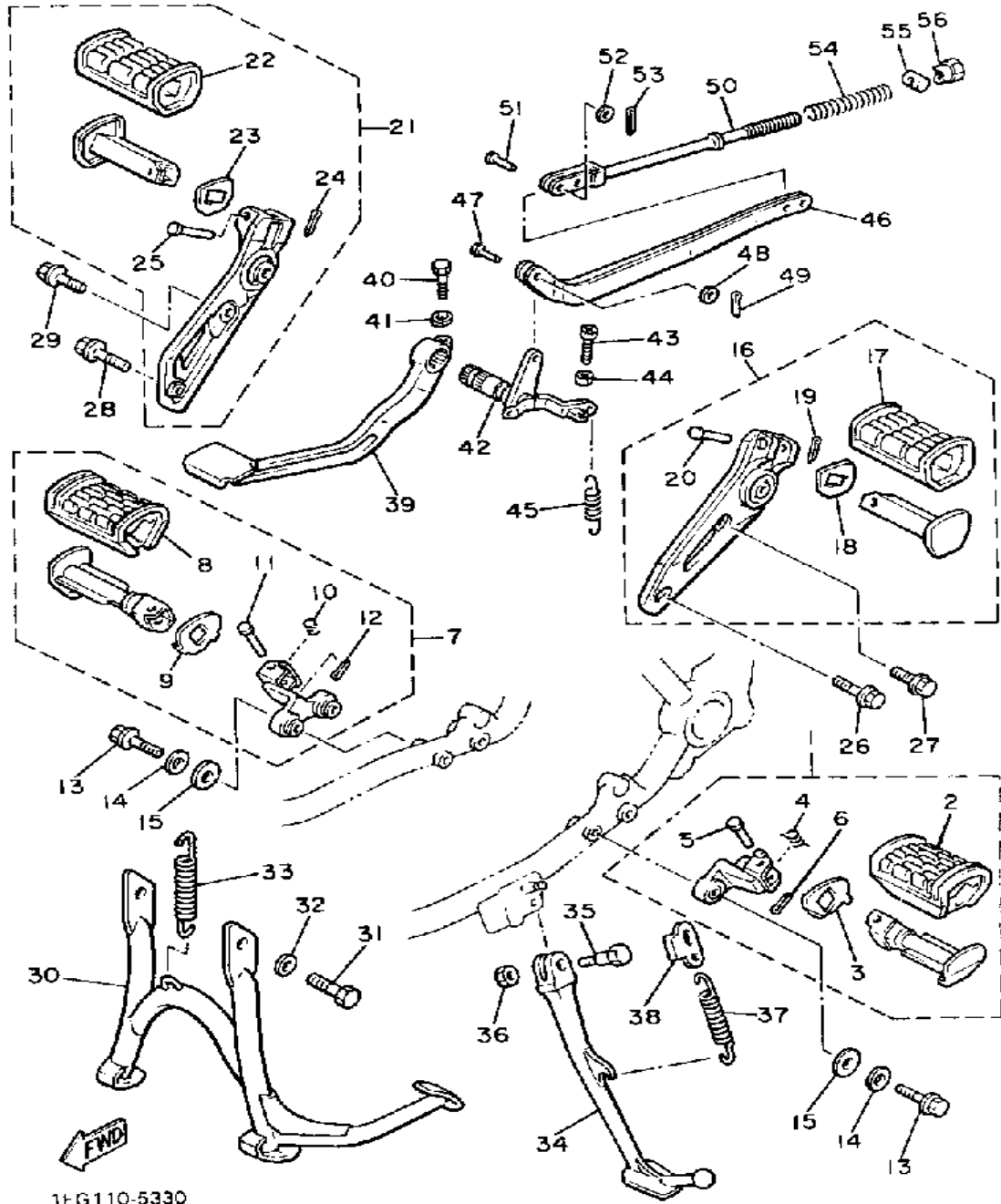


Ref. No.	Part Number	Description	Qty	Remarks
1	4G0-25850-01-00	MSTR CYLINDER ASSEMBLY	1	
2	4K0-W0041-00-00	. CYLINDER KIT, MASTER	1	
3	4K0-25854-00-00	. DIAPHRAGM RESERVOR	1	
4	3GM-25852-01-00	. CAP, RESERVOIR	1	
5	98706-04012-00	. SCREW, FLAT HEAD	2	
6	4L0-25867-00-00	BRACKET, MASTER CYLINDER	1	
7	97016-06025-00	BOLT	2	
8	92906-06100-00	WASHER, SPRING	2	
9	1AA-25872-01-00	HOSE, BRAKE 1	1	
10	1AA-25873-01-00	HOSE, BRAK 2	2	
11	306-25862-00-00	BOOT, MASTER CYLINDER	1	
12	1AA-25885-00-00	JOINT	1	
13	90401-10034-00	BOLT, UNION	4	
14	90401-10044-00	BOLT, UNION	1	
15	90201-10118-00	WASHER, PLATE	11	
16	42X-25875-00-00	HOLDER, BRAKE HOSE 1	1	
17	42X-25876-00-00	HOLDER, BRAKE HOSE 2	1	
18	97011-06010-00	BOLT	2	
19	92995-06100-00	WASHER, SPRING	2	



1FG110-5320

STAND-FOOTREST

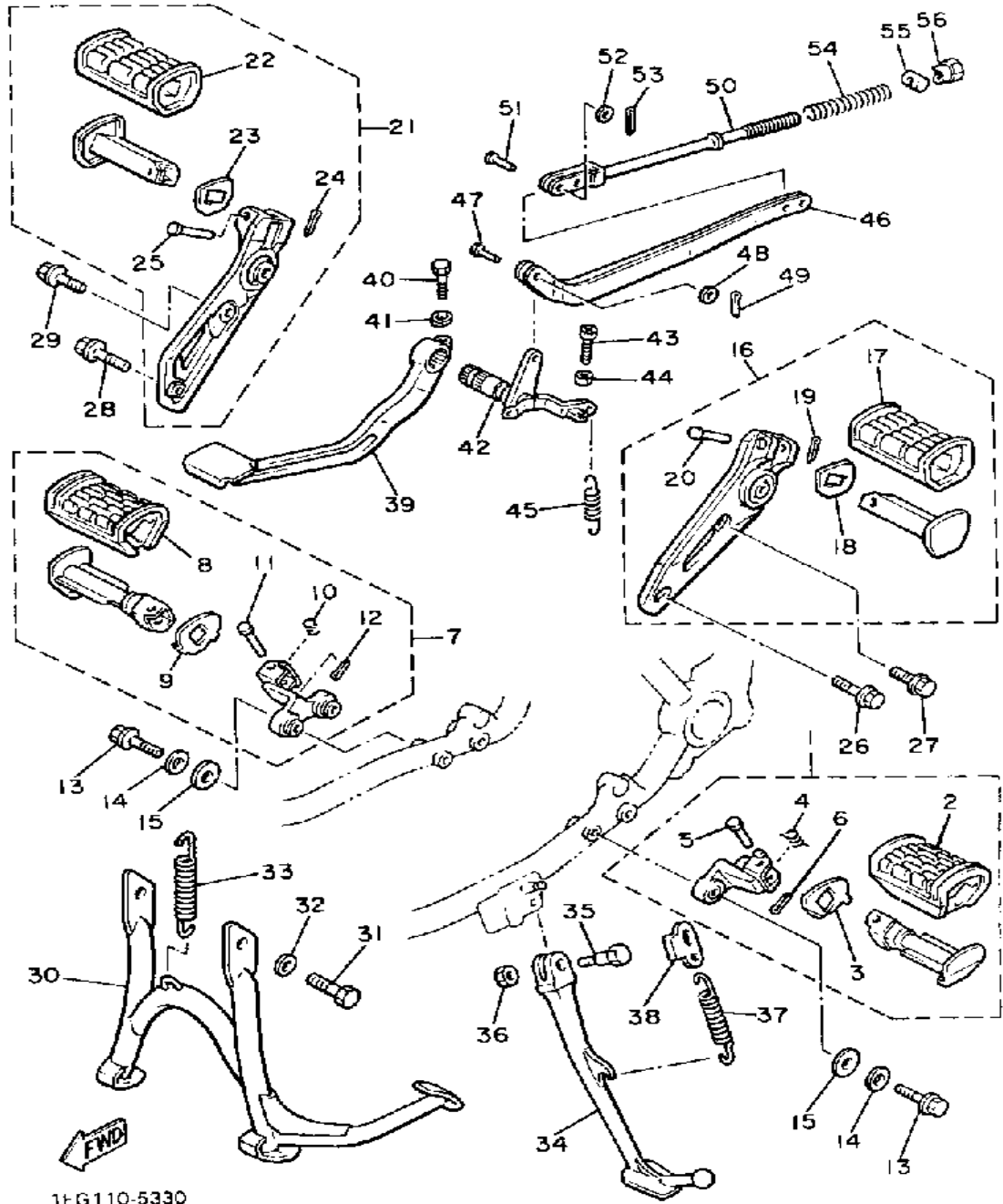


1F-G110-5330

Ref. No.	Part Number	Description	Qty	Remarks
1	1AA-27410-00-R4	FRT FOOTREST ASSEMBLY L	1	BLACK
2	26H-27413-02-00	. COVER, footrest	1	
3	26H-27417-00-00	. WASHER, footrest	1	
4	90508-20154-00	. SPRING, TORSION	1	
5	91701-08038-00	. PIN, CLEVIS	1	
6	91401-25020-00	. PIN, COTTER	1	
7	1AA-27420-00-R4	FRT FOOTREST ASSEMBLY R	1	BLACK
8	26H-27413-02-00	. COVER, footrest	1	
9	26H-27417-00-00	. WASHER, footrest	1	
10	90508-20155-00	. SPRING, TORSION	1	
11	91701-08038-00	. PIN, CLEVIS	1	
12	91401-25020-00	. PIN, COTTER	1	
13	90105-08211-00	BOLT, WASHER BASED	4	
14	1AA-27415-00-00	PLATE, footrest	4	
15	90202-13149-00	WASHER, PLATE	4	
16	1AA-Y2743-00-00	REAR FTRST ASSEMBLY 1	1	
17	3H5-27433-00-00	. COVER, RR FOOTREST	1	
18	90209-18190-00	. WASHER, SPEC'L SHAP	1	
19	91490-16020-00	. PIN, COTTER	1	
20	91701-06038-00	. PIN, CLEVIS	1	
21	1AA-Y2744-00-00	REAR FTRST ASSEMBLY 2	1	
22	3H5-27444-00-00	. COVER, RR FOOTREST	1	
23	90209-18190-00	. WASHER, SPEC'L SHAP	1	
24	91490-16020-00	. PIN, COTTER	1	
25	91701-06038-00	. PIN, CLEVIS	1	
26	95023-08035-00	BOLT, FLANGE	1	
27	95023-08020-00	BOLT	1	
28	95023-08035-00	BOLT, FLANGE	1	
29	95023-08020-00	BOLT	1	

CONTINUED ON NEXT FRAME ►

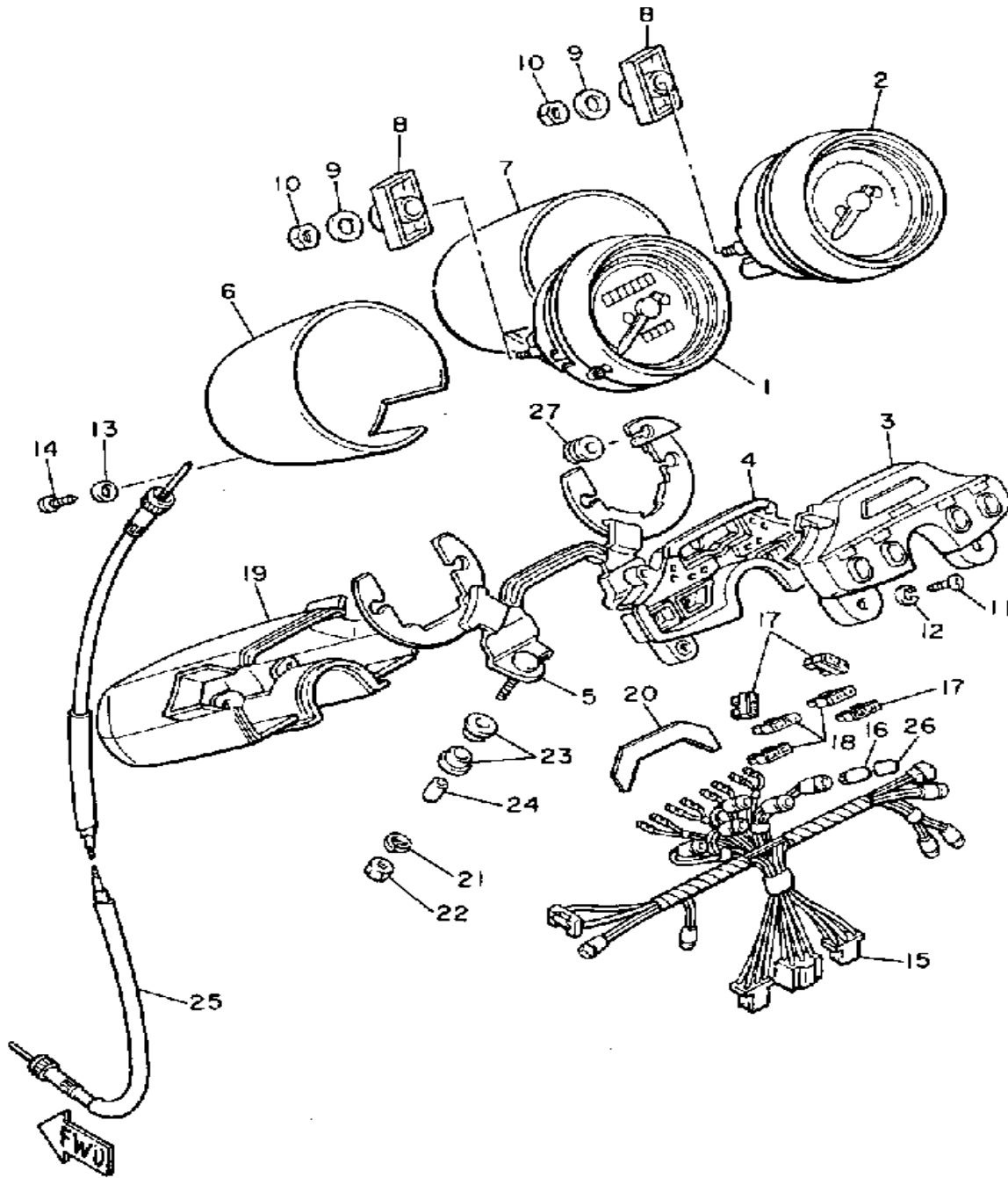
STAND-FOOTREST



1F-G110-5330

Ref. No.	Part Number	Description	Qty	Remarks
30	1AA-27111-00-R4	STAND, MAIN	1	BLACK
31	97011-10016-00	BOLT, HEXAGON	2	
32	90201-10752-00	WASHER, PLATE	2	
33	90506-35149-00	SPRING, TENSION	1	
34	1AA-27311-01-R4 (1AA-27311-00-R4)	STAND, SIDE	1	BLACK
35	90109-10590-00	BOLT	1	
36	90185-10037-00	NUT, SELF-LOCKING	1	
37	90506-29266-00	SPRING, TENSION	1	
38	2KT-27315-00-00	LINK, SIDE STAND	1	
39	1AA-27211-00-93	PEDAL, BRAKE	1	CHROME-
40	90110-06138-00	BOLT, HEX SKT HEAD	1	
41	92995-06100-00	WASHER, SPRING	1	
42	1AA-27212-00-00	SHAFT, BRAKE PEDAL	1	
43	90153-06008-00	SCREW, HEXAGON	1	
44	90170-06184-00	NUT, HEXAGON	1	
45	90506-20193-00	SPRING, TENSION	1	
46	1AA-27241-00-00	ROD, JOINT	1	
47	90240-06006-00	PIN, CLEVIS	1	
48	92990-06200-00	WASHER	1	
49	91490-20020-00	PIN, COTTER	1	
50	1AA-27231-00-00	ROD, BRAKE	1	
51	90240-06103-00	PIN, CLEVIS	2	
52	92990-06200-00	WASHER	2	
53	91490-20020-00	PIN, COTTER	2	
54	90501-10245-00	SPRING, COMPRESSION	1	
55	90249-12008-00	PIN	1	
56	90179-06411-00	NUT	1	

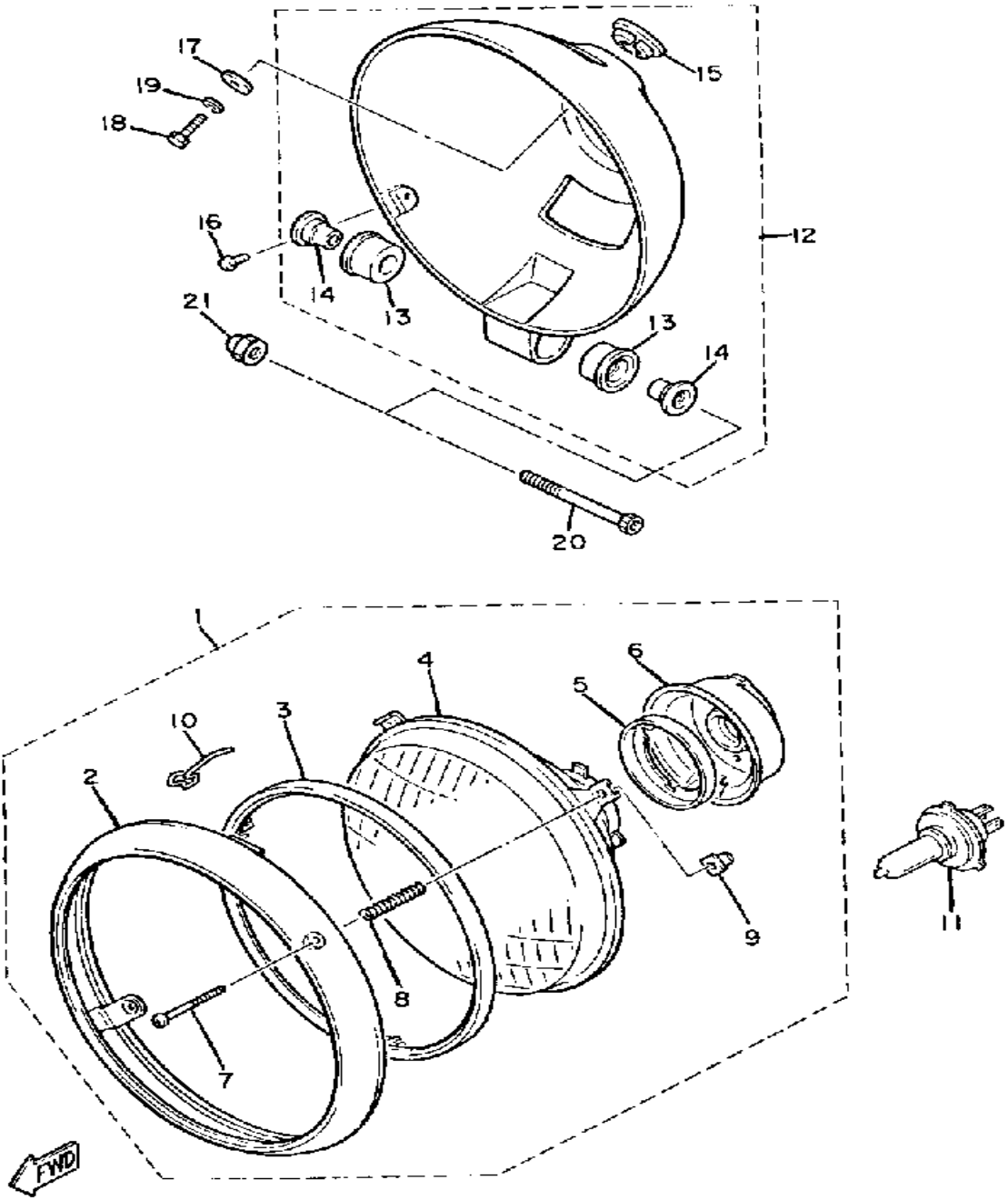
METER



1FH171-5381

Ref. No.	Part Number	Description	Qty	Remarks
1	1AA-83570-A0-00	SPEEDOMETER ASSEMBLY ..	1	
2	1FG-83540-00-00	TACHOMETER ASSEMBLY ...	1	
3	1AA-8353G-00-00	CASE, UPPER	1	
4	1AA-8353H-00-00	CASE, INNER	1	
5	1FG-83519-00-00	BRACKET, METER	1	
6	42X-83507-00-00	COVER, SPEEDOMETER	1	
7	42X-83508-00-00	COVER, TACHOMETER	1	
8	1FG-83523-00-00	DAMPER	4	
9	90201-05031-00	WASHER, PLATE	4	
10	95380-05600-00	NUT	4	
11	98580-04008-00	SCREW, PAN HEAD	4	
12	92901-04600-00	WASHER, PLATE	4	
13	92901-04600-00	WASHER, PLATE	4	
14	90164-04009-00	SCREW, TAPPING	6	
15	1FG-83509-00-00	SOCKET CORD ASSEMBLY ..	1	
16	42X-83517-00-00	BULB (12V-3W)	10	
17	36Y-82151-00-00	FUSE (15A-BL)	3	
18	42X-82151-20-00	FUSE (10A)	3	
19	42X-83559-00-00	COVER, METER	1	
20	55R-83579-00-00	COVER, METER 2	1	
21	92906-06100-00	WASHER, SPRING	2	
22	95316-06600-00	NUT	2	
23	584-83541-00-00	DAMPER	4	
24	90387-06249-00	COLLAR	2	
25	57A-83550-00-00	SPEEDOMETER CABLE ASSEMBLY	1	
26	1FK-83535-00-00	TUBE	4	
27	1FK-83523-00-00	DAMPER	1	

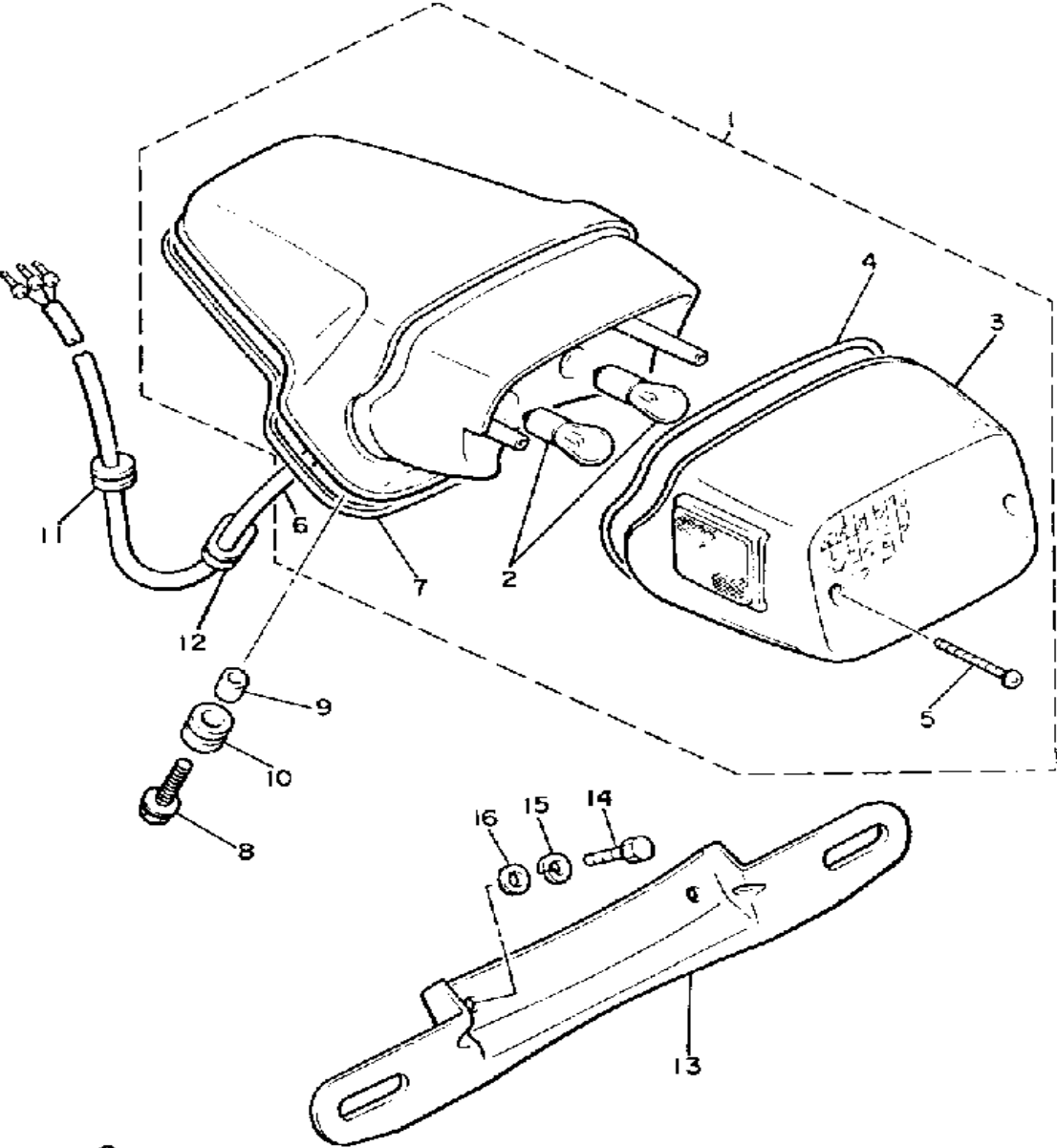
HEADLIGHT



1FG110-5390

Ref. No.	Part Number	Description	Qty	Remarks
1	42X-84303-A1-00	HEADLIGHT UNIT ASSEMBLY	1	
2	42X-84315-01-00	. RIM, HEADLIGHT	1	
3	5Y3-84395-00-00	. RING, RETAINING	1	
4	42X-84321-A0-00	. LENS ASSEMBLY	1	
5	2F9-84375-00-00	. SETTING PLATE, BULB	1	
6	2F9-84397-01-00	. COVER, SOCKET	1	
7	90157-04001-00	. SCREW, PAN HEAD	2	
8	1A0-84332-60-00	. SPRING, SCREW	2	
9	198-84334-60-00	. NUT, ADJUSTING	2	
10	1M1-84124-60-00	. SPRING, SET	1	
11	5V2-84314-00-XX	BULB, HL 12V60/55W (2F9-84314-00)	1	LM
12	42X-84330-01-00	BODY ASSEMBLY	1	
13	42X-84345-00-00	. DAMPER, HEADLIGHT	2	
14	42X-84338-00-00	. COLLAR, BODY FITTING	2	
15	42X-84366-00-00	. DAMPER, HEADLIGHT 1	1	
16	98580-05012-00	SCREW, PAN HEAD	2	
17	90201-06073-00	WASHER, PLATE	2	
18	97313-06016-00	BOLT, HEXAGON	1	
19	92995-06100-00	WASHER, SPRING	1	
20	95023-08045-00	BOLT	1	
21	95303-08800-00	NUT (CROWN) (95301-08800)	1	

TAILLIGHT

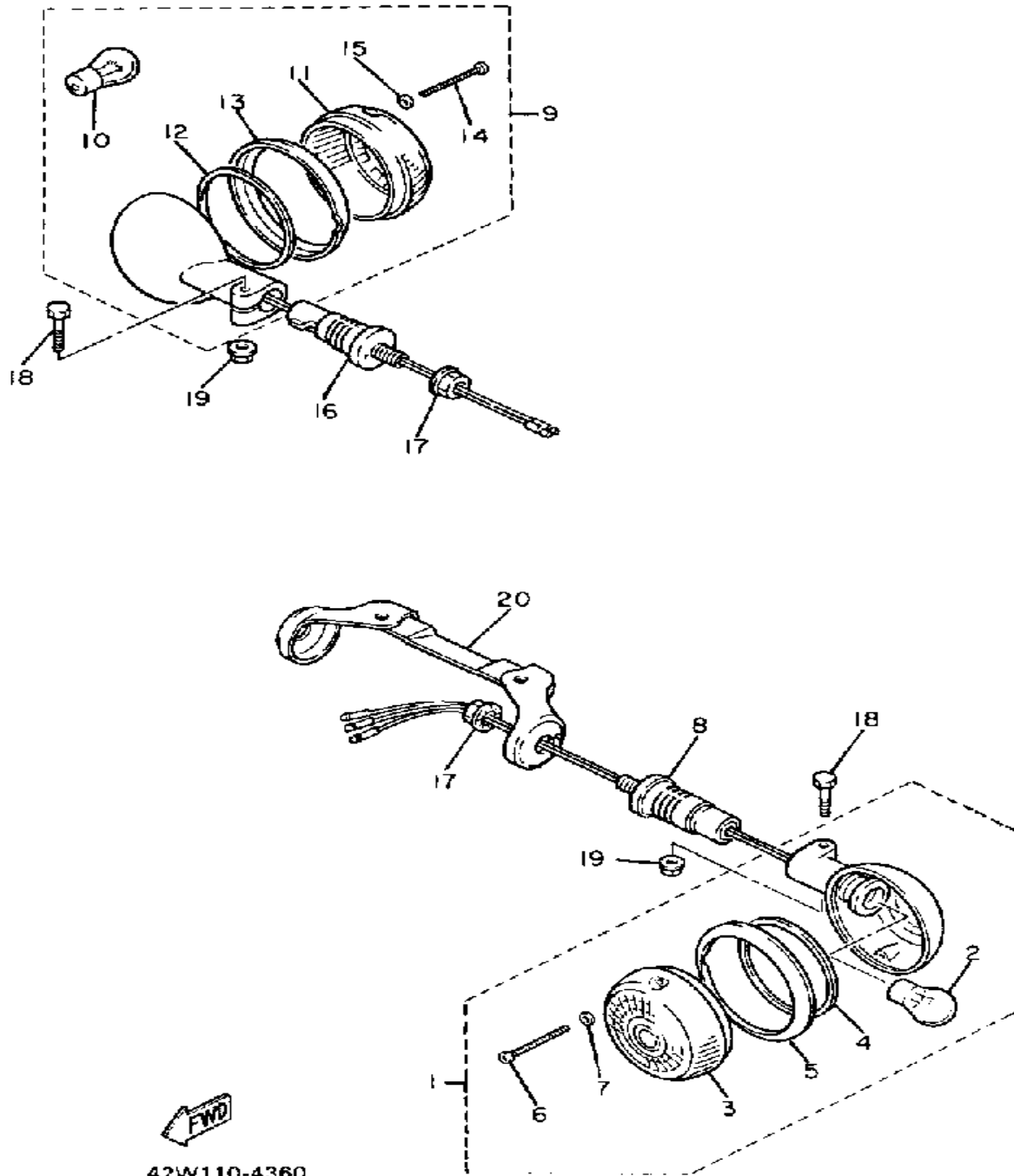


Ref. No.	Part Number	Description	Qty	Remarks
1	42X-84700-60-00	TAILLIGHT ASSEMBLY	1	
2	256-84714-61-00	. BULB (12V-27/8W)	2	
3	42X-84721-60-00	. LENS, TAILLIGHT	1	
4	42X-84723-01-00	. GASKET, TAIL LENS	1	
5	97780-40525-00	. SCREW, TAPPING	2	
6	42X-84717-00-00	. CORD, TAILLIGHT	1	
7	42X-84704-00-00	. GASKET, TAILLIGHT	1	
8	90119-06097-00	BOLT, WITH WASHER	3	
9	90387-065L5-00	COLLAR	3	
10	90480-14229-00	GROMMET	3	
11	90480-16112-00	GROMMET	1	
12	90480-15061-00	GROMMET	1	
13	42X-84751-00-00	BRACKET, LICENSE	1	
14	97313-06016-00	BOLT, HEXAGON	2	
15	92995-06100-00	WASHER, SPRING	2	
16	90201-061A5-00	WASHER, PLATE	2	



1FG110-5400

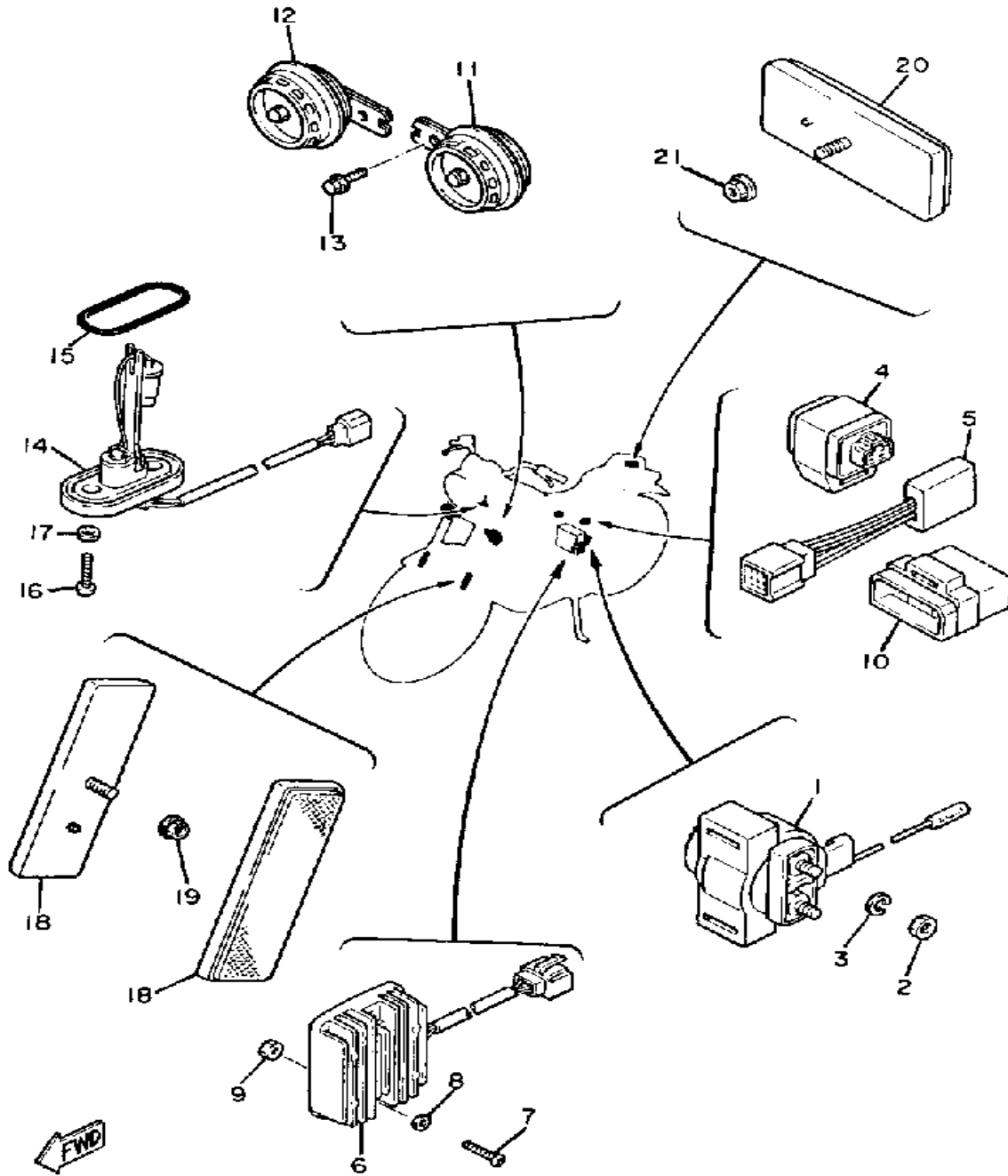
TURNSIGNAL



42W110-4360

Ref. No.	Part Number	Description	Qty	Remarks
1	42X-83310-K0-00	FRONT FLASHER LIGHT ASSEMBLY 1	2	
2	256-84714-61-00	. BULB (12V-27/8W)	1	
3	42X-83312-00-00	. LENS, FLASHER	1	
4	42X-83313-00-00	. GASKET, FLASHER LENS	1	
5	42X-83363-00-00	. LENS, RIM	1	
6	341-83333-70-00	. SCREW, LENS FITTING	2	
7	42X-83359-00-00	. WASHER, SPECIAL	2	
8	1AA-83318-00-00	STAY, FLASHER 1	2	
9	1AA-83330-K0-00	REAR FLASHER LIGHT ASSEMBLY 1	2	
10	256-83311-70-XX	. BULB, TS 12V27W	1	
11	42X-83312-00-00	. LENS, FLASHER	1	
12	42X-83313-00-00	. GASKET, FLASHER LENS	1	
13	42X-83363-00-00	. LENS, RIM	1	
14	341-83333-70-00	. SCREW, LENS FITTING	2	
15	42X-83359-00-00	. WASHER, SPECIAL	2	
16	1AA-83328-00-00	STAY, FLASHER 2 (24M-83318-00)	2	
17	95701-12500-00	NUT, FLANGE	4	
18	97021-06030-00	BOLT	4	
19	95701-06500-00	NUT, FLANGE	4	
20	42X-83328-00-00	STAY, FLASHER 2	1	

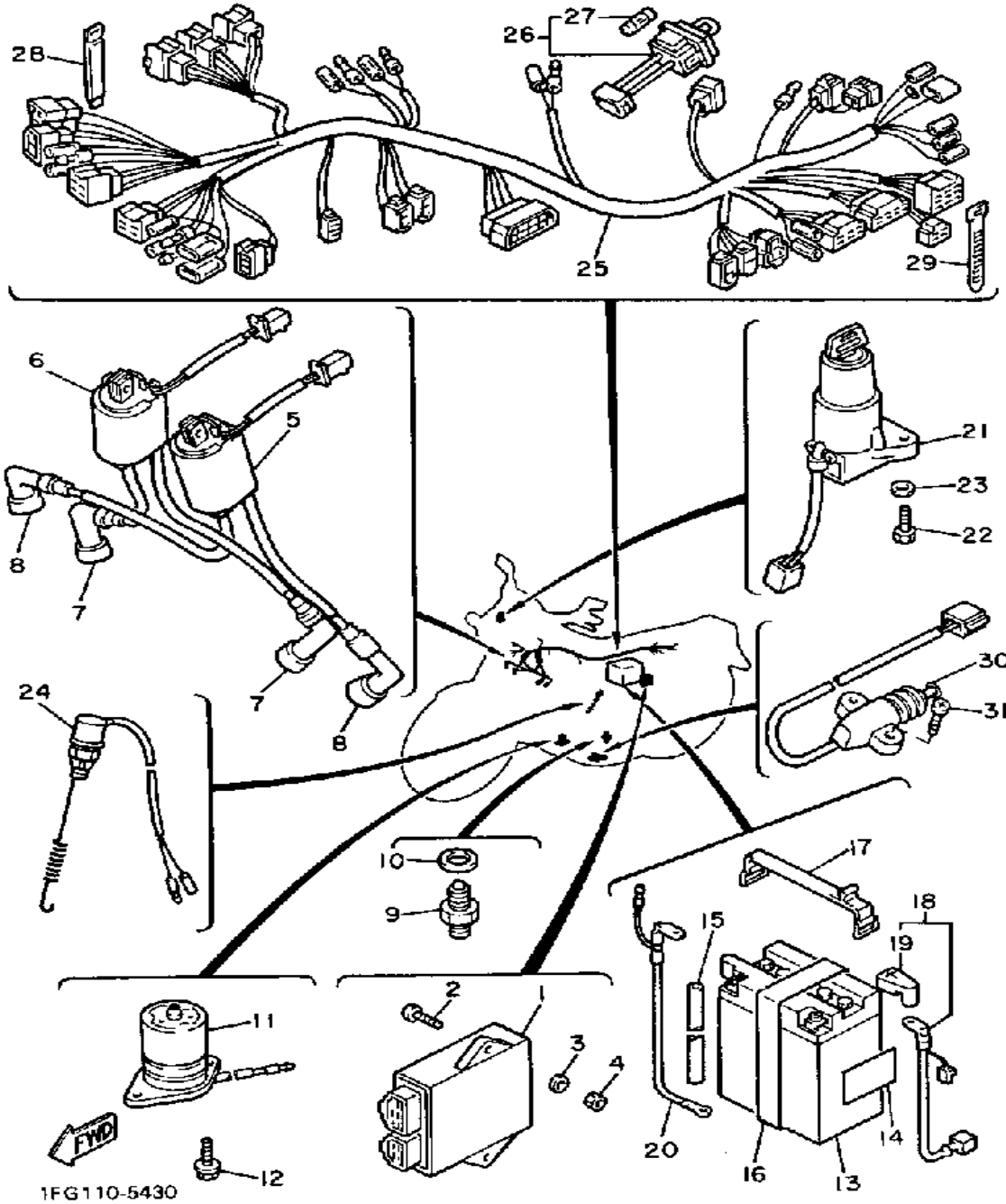
ELECTRICAL 1



1FG110-5420

Ref. No.	Part Number	Description	Qty	Remarks
1	36Y-81940-00-00	STARTER RELAY ASSEMBLY .	1	
2	95380-06700-00	NUT	2	
3	92995-06100-00	WASHER, SPRING	2	
4	4U8-81950-02-00	RELAY ASSEMBLY. (4U8-81950-00)	1	
5	4U8-81980-M0-00	DIODE ASSEMBLY	1	
6	12R-81960-A1-00	RECTIFIER/REG ASSEMBLY ..	1	
7	98580-06030-00	SCREW PAN HEAD	2	
8	92906-06600-00	WASHER	2	
9	95380-06700-00	NUT	2	
10	41R-83350-71-00	FLASHER RELAY ASSEMBLY .	1	
11	26H-83371-20-00	HORN	1	
12	26H-83371-30-00	HORN	1	
13	95023-08012-00	BOLT	2	
14	1FG-85752-00-00	SNDR UT ASSEMBLY, F/MTR .	1	
15	42X-85753-00-00	GASKET, SENDER UNIT	1	
16	90149-06011-00	SCREW	2	
17	90202-05187-00	WASHER, PLATE	2	
18	42X-85110-00-00	REFLECTOR ASSEMBLY	2	
19	95701-05500-00	NUT, FLANGE	2	
20	55R-85130-00-00	REAR REFLECTOR ASSEMBLY	1	
21	95701-05500-00	NUT, FLANGE	1	

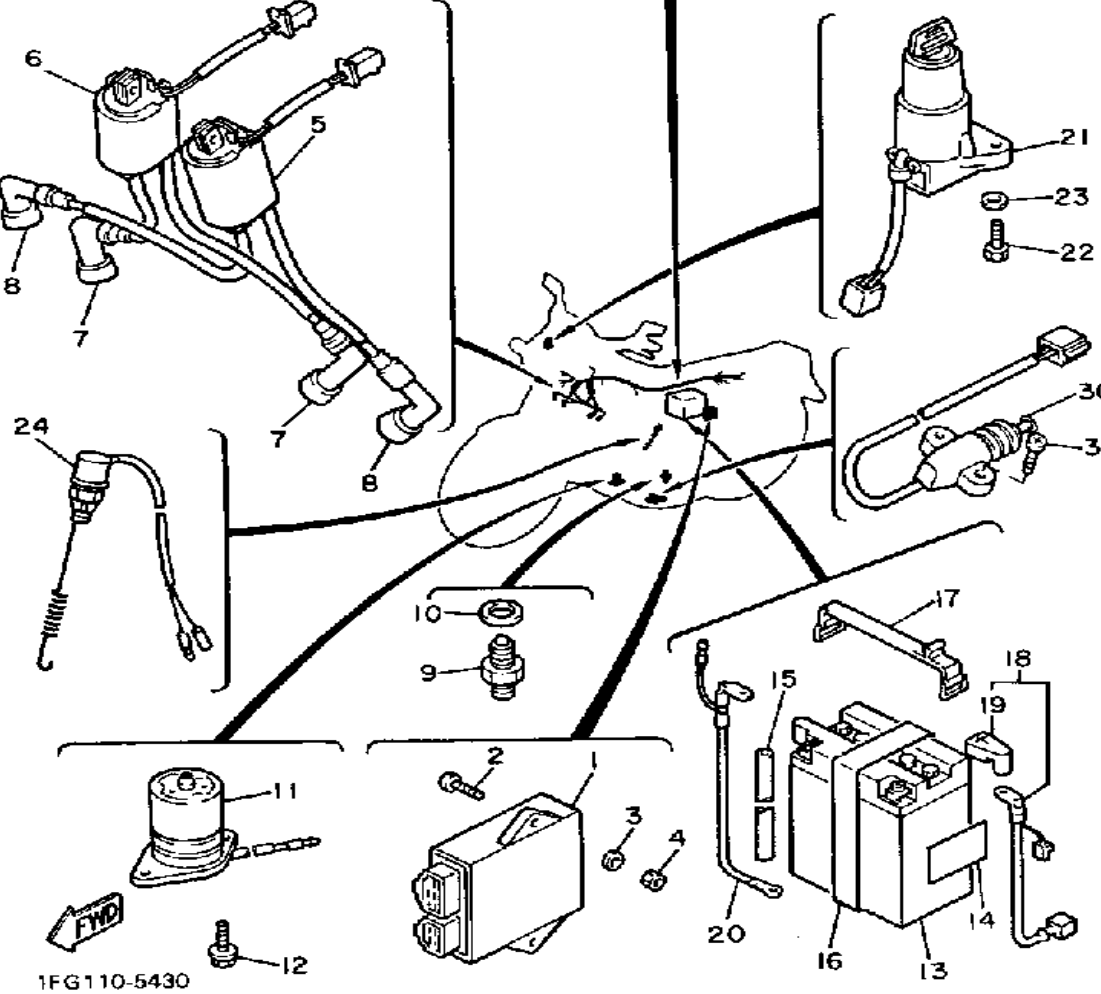
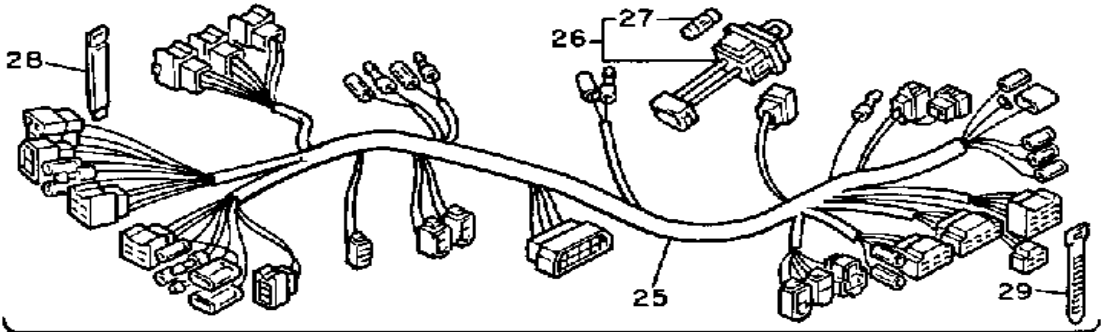
ELECTRICAL 2



Ref. No.	Part Number	Description	Qty	Remarks
1	1FG-82305-10-00	IGNITOR UNIT ASSEMBLY 1 ..	1	
2	92503-06016-00	UNAVAILABLE IN PRICE BOOK (92502-06016)	2	
3	92990-06600-00	WASHER, PLATE	2	
4	95380-06700-00	NUT	2	
5	1FG-82310-10-00	IGNITION COIL ASSEMBLY ...	1	
6	1FG-82320-10-00	IGNITION COIL ASSEMBLY ...	1	
7	1J7-82370-00-00	PLUG CAP ASSEMBLY	2	
8	256-82370-00-00	PLUG CAP ASSEMBLY	2	
9	2H7-82540-00-00	NEUTRAL SWITCH ASSEMBLY	1	
10	90430-10171-00	GASKET	1	
11	4H7-85720-01-00	OIL LVL GAUGE ASSEMBLY ..	1	
12	95026-06016-00	BOLT, FLANGE	2	
13	BTY-YB14L-A2-00	BATTERY ASSEMBLY (YB14L-A2)	1	
14	118-82141-09-00	LABEL, BATTERY	1	
15	90445-08348-00	HOSE	1	
16	1UA-82124-00-00	BAND, BATTERY	1	
17	4J2-82131-01-00	BAND, BATTERY	1	
18	1TX-82115-00-00	WIRE, PLUS LEAD	1	
19	4X7-82119-00-00	. COVER, LEAD WIRE	1	
20	1AA-82116-00-00	WIRE, MINUS LEAD	1	
21	42X-82501-50-00	MAIN SWITCH STEERING LOCK	1	
22	97313-06016-00	BOLT, HEXAGON	2	
23	92990-06600-00	WASHER, PLATE	2	
24	5R2-82530-02-00	STOP SWITCH ASSEMBLY ...	1	
25	1FG-82590-00-00	WIRE HARNESS ASSEMBLY	1	
26	3H5-82150-00-00	FUSE HOLDER ASSEMBLY ...	1	

CONTINUED ON NEXT FRAME ►

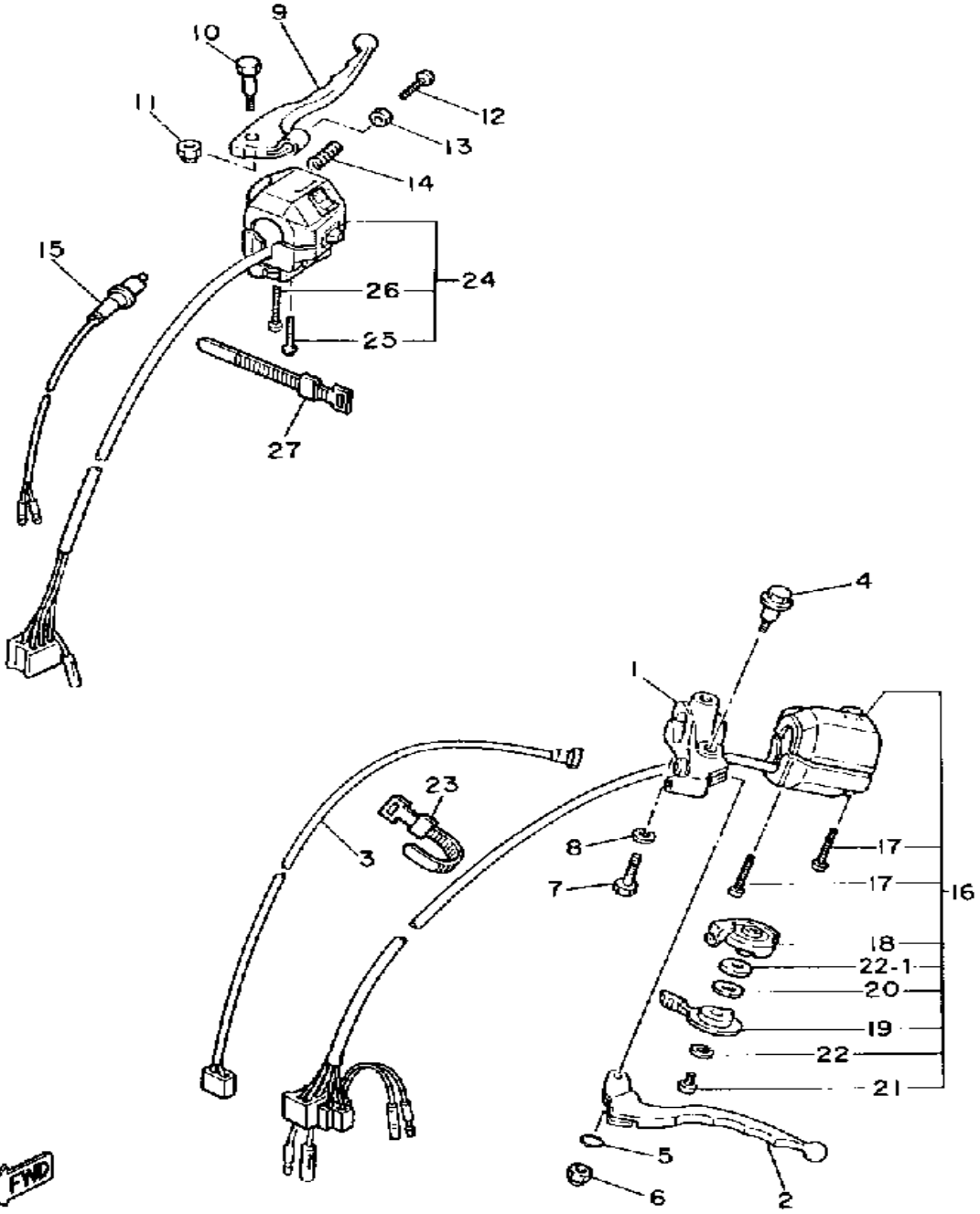
ELECTRICAL 2



Ref. No.	Part Number	Description	Qty	Remarks
27	2H7-82151-00-00	. FUSE	2	
28	341-26397-01-00	BAND	2	
29	25G-83936-01-00	BAND, SWITCH CORD	1	
30	1AA-82566-00-00	SWITCH, SIDE STAND	1	
31	98706-05016-00	SCREW, FLAT HEAD	2	

HANDLE SWITCH-LEVER

Ref. No.	Part Number	Description	Qty	Remarks
1	11U-82911-00-00	HOLDER, LEVER 1	1	
2	1AA-83912-00-00	LEVER L	1	
3	3Y6-82917-00-00	SWITCH	1	
4	90109-06799-00	BOLT	1	
5	93210-11368-00	O-RING	1	
6	95616-06100-00	NUT, U	1	
7	97006-06022-00	BOLT	1	
8	92906-06100-00	WASHER, SPRING	1	
9	2W1-83922-00-00	LEVER 2	1	
10	90109-06577-00	BOLT	1	
11	95616-06100-00	NUT, U	1	
12	90149-06131-00	SCREW	1	
13	90170-06010-00	NUT	1	
14	90501-10312-00	SPRING, COMPRESSION	1	
15	34X-83980-01-00	FRONT STOP SWITCH ASSEMBLY	1	
16	2UJ-83973-00-00	SWITCH, HANDLE 3	1	
17	98506-05035-00	. SCREW, PAN HEAD	2	
18	10M-83942-00-00	. COVER, STARTER	1	
19	10M-83941-00-00	. LEVER, STARTER	1	
20	92990-06200-00	. WASHER	1	
21	98506-06008-00	. SCREW, PAN HEAD (92506-06008-00)	1	
22	92995-06100-00	. WASHER, SPRING	1	
23	437-83936-01-00	BAND, SWITCH CORD	1	
24	42X-83975-01-00	SWITCH, HANDLE 2 (1AA-83975-00)	1	
25	98506-05040-00	. SCREW, PAN HEAD	1	
26	98506-05045-00	. SCREW, PAN HEAD	1	
27	437-83936-01-00	BAND, SWITCH CORD	1	

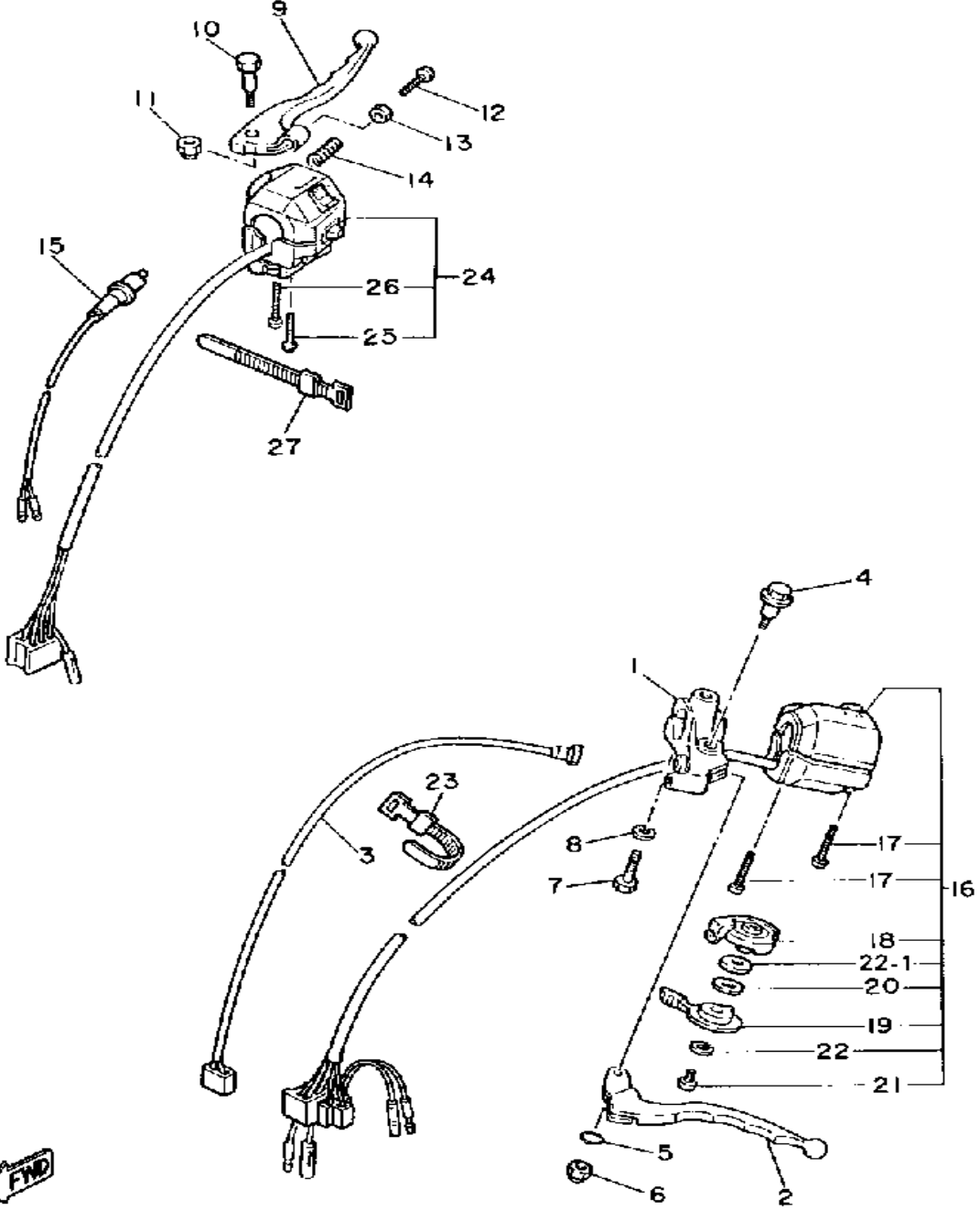


1FG110-5411

CONTINUED ON NEXT FRAME ►

HANDLE SWITCH-LEVER

Ref. No.	Part Number	Description	Qty	Remarks
22-1	1AA-8397X-00-00	SPACER	1	



1FG1 10-5411

XJ700N,NC 1985 SERVICE DATA

MODEL - IDM I.D. NUMBER	XJ700N-1FG	XJ700NC-1JJ
Initial Engine Number / Frame Number	See Page 2	
Fuel Type / Total Fuel Tank Capacity / Reserve Cap.	Regular / 13 Lit (3.4 gal) / 3 Lit (0.8 gal)	

ENGINE TYPE	DOHC, Air Cooled 4-Stroke		
Bore / Stroke / Number Cylinders / Displacement	65mm / 52.4mm / 4 / 696cc		
Compression Ratio / Compression Pressure Min~Max	9.5:1 / 9 ~ 12 kg/cm ² (128 ~ 170.7 psi)		
Piston Skirt Clearance New / Max	0.03 ~ 0.5mm / 0.1mm		
Ring End Gap Top / 2nd / 3rd	0.15 ~ 0.30mm / 0.15 ~ 0.30mm / 0.2 ~ 0.7mm		
Valve Clearance (Cold) Intake / Exhaust	0.11 ~ 0.15mm / 0.16 / 0.20mm		
Oiling System	Wet Sump		
Capacity: Dry	3.5 Lit. (3.7 qt)		
Oil & Filter Change / Oil Change Only	2.8 Lit (3.0 qt) / 2.5 Lit (2.6 qt)		
Oil Filter Part Number	1L9-13440-91-00		
Lubricant: Temp Above 5°C (40°F)	Yamalube 4* or SAE 20W40 SE or SF		
Temp Below 15°C (60°F)	SAE 10W30 SE or SF		
Cooling System / Capacity / Cap Opening Pressure	Air/φ/φ		
Coolant Type / Mixing Ratio	φ/φ		

AUTOLUBE - Min Stroke / Color Code	φ		
Minimum Output @ 200 Cycles	φ		
Maximum Output @ 200 Cycles	φ		

CARBURETOR - Manufacturer / Type / I.D. Number	Hitachi / HSC33 / N:1FG NC:1JJ		
Main Jet / Pilot Jet / Pilot Screw (Turns Out)	#107 / 36.5 / Preset		
Needle Jet / Jet Needle-Clip Position	3.22 / Y-20		
Slide Cutaway	φ		
Float Height / Fuel Level (with special tool)	11.3~13.3mm / 0~2mm		
Idle rpm	1050 rpm ± 50 rpm		
Max CO _e / Max HC _e / Set CO	7% / 800 rpm / 4 ± 0.5%		

SUSPENSION			
Front: Oil Type / Level / Qty	10 Wt. Fork Oil* / 164mm / 383cc		
Gas or Air Pressure Min~Max / Standard	φ		
Spring Length Standard	521mm		
Rear: Gas or Air Pressure Min~Max / Standard	φ		
Minimum Brake Lining Thickness Front / Rear	5mm / 2mm		
Tire Size / Nominal Pressure: Front	100/90-19 57H / 1.8 kg/cm ² (26 psi)		
Rear	130/90-16 67H / 2.0 kg/cm ² (28 psi)		

TRANSMISSION - Oil Type / Qty Change / Qty Dry	See ENGINE Above		
Secondary Drive Type / Teeth / Chain	Shaft		
Middle Gear Case Capacity	φ		
Final Gear Case Capacity	200cc		
Gear Case Lubricant	SAE 80 API "GL-4" Hypoid		

SERVICE COPY	SER MGR	MECH	MECH	MECH	BINDER
OFFICE COPY	GEN MGR	SALES	PARTS	BINDER	PAGE 1 OF 2

CHARGING SYSTEM	AC Generator
Battery: Model / Specific Gravity / Charge Rate	YB14L / 1.280 / 1.4A
Maximum Output	14V 19A @ 5000 rpm
Field Coil Color Code / Ω	Grn~Brn / 4.0Ω ± 10%
Stator Coil Color Code / Ω	Wht~Wht / 0.46Ω ± 10%
Charge Coil Color Code / Ω	φ

IGNITION SYSTEM	Transistor Controlled
Ignition Timing	5° @ 1050 rpm Full Adv. 37.5° @ 6000 rpm
Spark Plug Type	NGK BP8ES or ND W24EP-U
Spark Plug Gap / Torque / Cap Ω	0.7~0.8mm / 1.75 m·kg (12.7 ft·lbs) / 10K Ω
Ignition Coil Test Gap / Primary Ω / Secondary Ω	6mm / 2.7 Ω ± 10% / 12K Ω ± 20%
Pulser Coil or Pickup Coil Color Code / Ω	Org~Blk, Gry~Blk / 120 Ω ± 10%
Source Coil Color Code / Ω	φ

LIGHTING SYSTEM	
Headlight / Taillight / Signal Rating	12V60-55W / 12V27-8W / 12V27W
Lighting Coil Color Code / Ω	φ

TORQUE VALUES	
Front Axle Nut	10.5 m·kg (75.9 ft·lbs)
Front Axle Holder Nut	2.0 m·kg (14.5 ft·lbs)
Rear Axle Nut	10.5 m·kg (75.9 ft·lbs)
Rear Axle Pinch Bolt	φ
Clutch Nut	7.0 m·kg (50.6 ft·lbs)
Drain Plug	4.3 m·kg (31.1 ft·lbs)
Flywheel Nut	φ
Cylinder Head Cover	1.0 m·kg (7.2 ft·lbs)
Cylinder Head:	3.5 m·kg (25.3 ft·lbs)
Engine Mounting Bolts: Front Upper	4.2 m·kg (30.4 ft·lbs)
Front Bracket	3.3 m·kg (23.9 ft·lbs)
Front Lower	4.2 m·kg (30.4 ft·lbs)
Rear Lower	9.0 m·kg (65.1 ft·lbs)
Pivot Shaft	10.0 m·kg (72.3 ft·lbs)

Initial Engine Number / Frame Number	XJ700N: 1FG-000101 / JYA1FG00()FA000101
	XJ700NC: 1JJ-00101 / JYANJ00()FA000101

φ = Does Not Apply to This Model
NA = Information Not Available

* = Available from YPDI
⊗ = For Diagnostic Use Only

SERVICE LITERATURE

PUBLICATION	PART NUMBER	REMARKS
Owner's Manual	LIT-11626-04-85	
Service Manual	LIT-11616-04-85	
Assembly Manual	LIT-11666-04-85	
Consumer Info.	LIT-11656-04-25	

